

PMM-7333-PL



**7.3" Factory Mount Mirror Monitor with 3 Video
Inputs, 3 Triggers and Adjustable Parking Lines**

User Manual



ECHOMASTER
PRO



PMM-7333-PL

7.3" Factory Mount Mirror Monitor
with 3 Video Inputs, 3 Triggers and
Adjustable Parking Lines

Introduction

Thank you for purchasing your EchoMaster Pro automotive monitor.

Your monitor displays a clear, high resolution image of the area surrounding your vehicle, meaning your maneuvering and vehicle awareness will be greatly improved.

Please ensure you read and understand all aspects of this manual before fitting or using your EchoMaster monitor.

Box Contents

- ▶ User Guide
- ▶ Mirror Monitor
- ▶ Main Harness
- ▶ Remote Control

Key Features

- ▶ 3 video inputs
- ▶ 3 triggers
- ▶ Remote control included
- ▶ Adjustable parking lines
- ▶ Auto-dimming display



PMM-7333-PL

7.3" Factory Mount Mirror Monitor
with 3 Video Inputs, 3 Triggers and
Adjustable Parking Lines

Fitting Instructions

The PMM-7333-COM-PL will replace your factory fitted rearview mirror. Remove the original mirror from the vehicle and replace with the PMM-7333-COM-PL.

Once the unit is in place, run the connections cable across the headliner of the vehicle and down the A pillar.

Please ensure that you do not impede the operation of any airbags that may be located in the A pillar of the vehicle. Any cable passing these airbags should be run behind the airbag and not in front of it.

Once the cable has been routed down to the dashboard, connect the camera inputs and power connections as shown in the wiring diagram section of this manual.

Operating Instructions

The vehicle ignition is required to be on for the unit to operate. To turn it on press the POWER button.

To switch between video display modes touch the black area to the left side of the screen and you will see 3 touch buttons appear. The center of these will switch the video input.

The bottom symbol will adjust the image setting to one of 4 preset settings. The top 'R' button will instantly switch to the reverse input.



PMM-7333-PL

7.3" Factory Mount Mirror Monitor with 3 Video Inputs, 3 Triggers and Adjustable Parking Lines

Operating Instructions (continued)

All other functions are controlled by the supplied remote.

You can access all adjustable parameter by pressing the MENU button on the remote.

Adjustable parameters are as follows.

Brightness: Adjust the brightness of the screen.

Color: Adjust the color of the screen.

Contrast: Adjust the contrast of the screen.

Scale: This turns the parking guide line for the reverse input on or off.

Start Logo: This enables or disables the boot-up logo when the screen is powered up.

Preset: This resets all values to default.

You are also able to adjust the on-screen position of the parking lines to ensure accurate positioning for your particular vehicle. To enter this setting press the center button on the remote D pad (this menu is only accessible when the reverse image is being displayed).

Pressing the center button will toggle between the left (XL) guideline and right (XR).

Use the 4way D-pad to adjust the physical position of the guidelines independently.

The buttons to the left and right of the MODE button will adjust the angle of the guidelines.

To set the lines accurately place some 2" wide tape at the rear of the vehicle parallel to each other. The tape should be about 12ft long and 6" outside the maximum width of the vehicle (please see image on the next page). It must be visible on the display when the vehicle is in reverse.

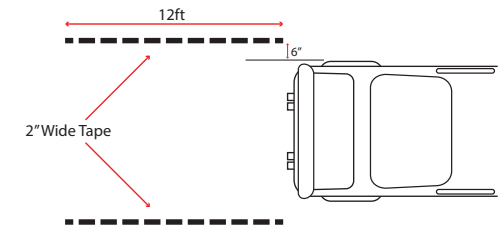


PMM-7333-PL

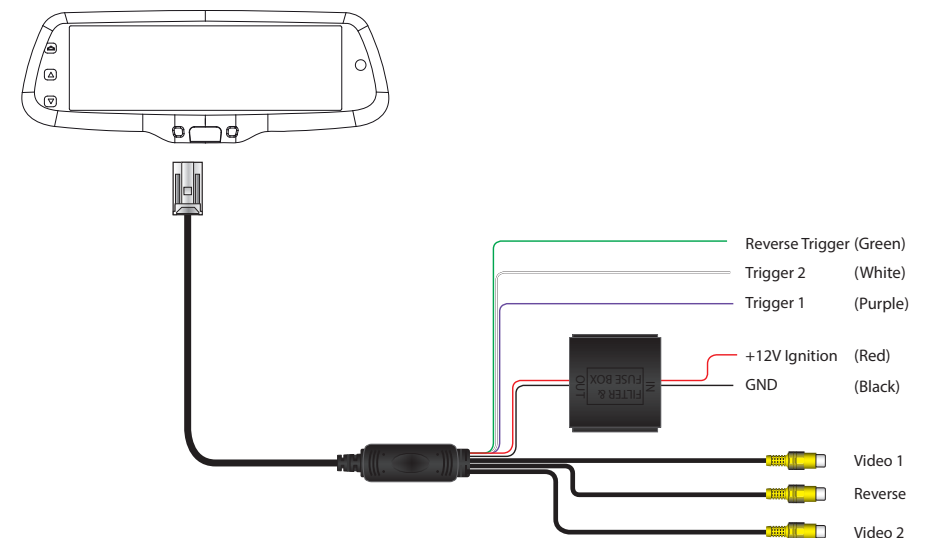
7.3" Factory Mount Mirror Monitor with 3 Video Inputs, 3 Triggers and Adjustable Parking Lines

You can then set the guidelines to match the tape.

Press the center button again to exit the guideline setup screen.



Wiring Diagram

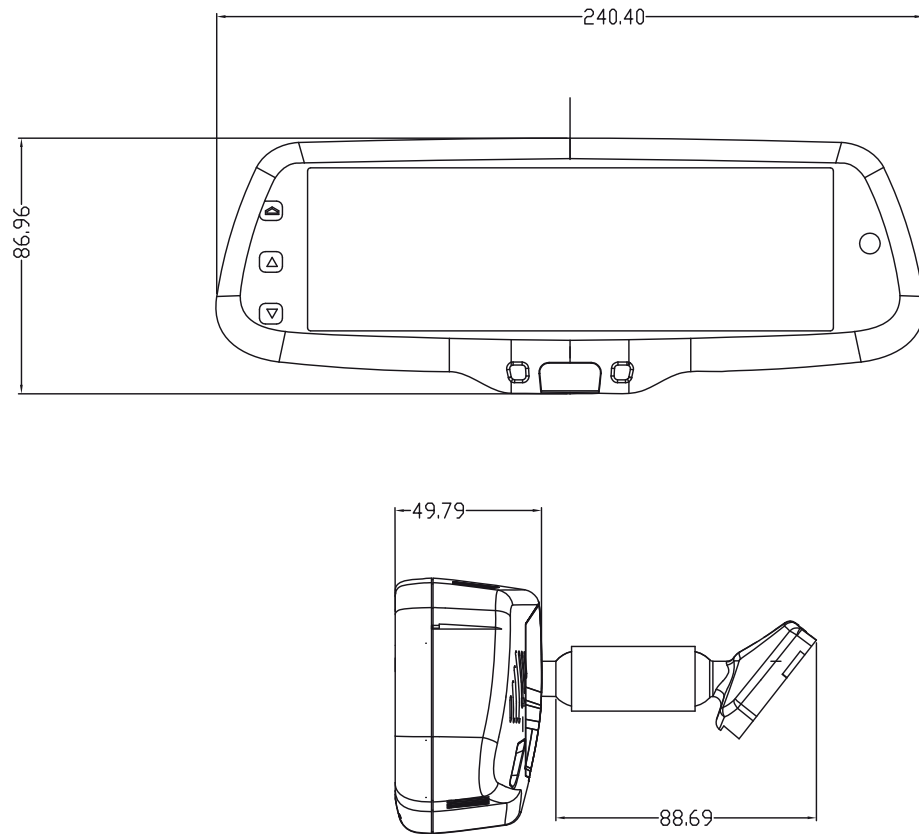




PMM-7333-PL

7.3" Factory Mount Mirror Monitor with 3 Video Inputs, 3 Triggers and Adjustable Parking Lines

Dimensions (mm)



PMM-7333-PL

7.3" Factory Mount Mirror Monitor with 3 Video Inputs, 3 Triggers and Adjustable Parking Lines

Specifications

PMM-7333-PL	
Screen Size	7.3"
Aspect Ratio	16:9
Power Supply	9-18V DC
Resolution	480 x 272
Luminance	1000-1400
Contrast	400:1
TV Format	AUTO
OSD Languages	Multi
Video Inputs	3
Audio Inputs	N/A
Triggers	3
Current Draw	75mA
Operating Temperature	-20C - +70C
IP Rating	N/A
Parking Guidelines	Adjustable
Dimensions (mm)	240 x 87 x 50
Connector Type	Power & RCA



15500 Lightwave Drive, Suite 202, Clearwater, Florida 33760
Woolmer Way, Bordon, Hampshire, United Kingdom

email - support@aampglobal.com (US)
tel - 1-800-477-2267 (East Coast) - 1-888-883-2790 (West Coast)

email - technical.eu@aampglobal.com (Europe)
tel - +44(0)1420 487110 (Sales) - +44(0)1420 470618 (Technical)



EchoMaster is a Power Brand of AAMP Global.
EchoMaster.com