

PCAM-IRC



IP67 CMOS Commercial Camera with Night Vision
User Manual



Introduction

Thank you for purchasing your EchoMaster automotive camera.

The following part numbers are supported:

- ▶ **PCAM-IRC-P**
- ▶ **PCAM-IRC-N**

EchoMaster cameras are designed to improve safety during driving by providing high quality images of surrounding areas and obstacles in the vicinity of the vehicle. They will also improve vehicle maneuvering capability by displaying blind spots not normally visible to the driver.

Please ensure you read and understand all aspects of this manual before fitting or using your EchoMaster Camera. Choose a suitable mounting place dependent on the application. Ensure that there are no wiring harnesses or hoses/pipes located behind this panel before drilling.

Key Features

- ▶ 1/4" CMOS Sensor
- ▶ Operates at 0 LUX
- ▶ 18 IR LEDs
- ▶ IP67 Rated
- ▶ 120 Degree Viewing Angle

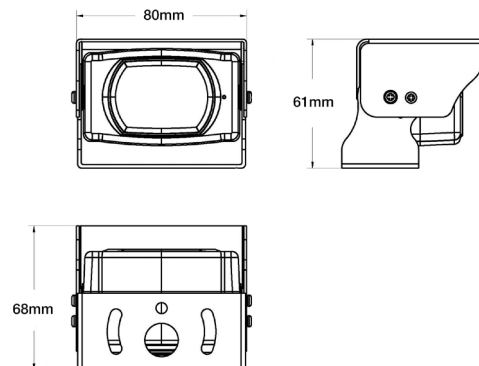
Specifications

| | PCAM-IRC-P PCAM-IRC-N | |
|----------------------------|--------------------------|------|
| Sensor | 1/4" CMOS | |
| LEDs | 18 | |
| Illumination | 0 LUX | |
| Viewing Angle | 120 degrees | |
| Mirror Image | YES | |
| Normal Image | No | |
| Water/Debris-Proof | IP67 | |
| Audio | YES | |
| Power Supply | 12V DC | |
| Current | <120mA | |
| Working Temperature | -20°C - +70°C | |
| Dimensions (mm) | D (68) x W (80) x H (61) | |
| System | PAL | NTSC |
| TV Lines | 480 | N/A |
| Resolution (HxV) | 648 x 488 | N/A |

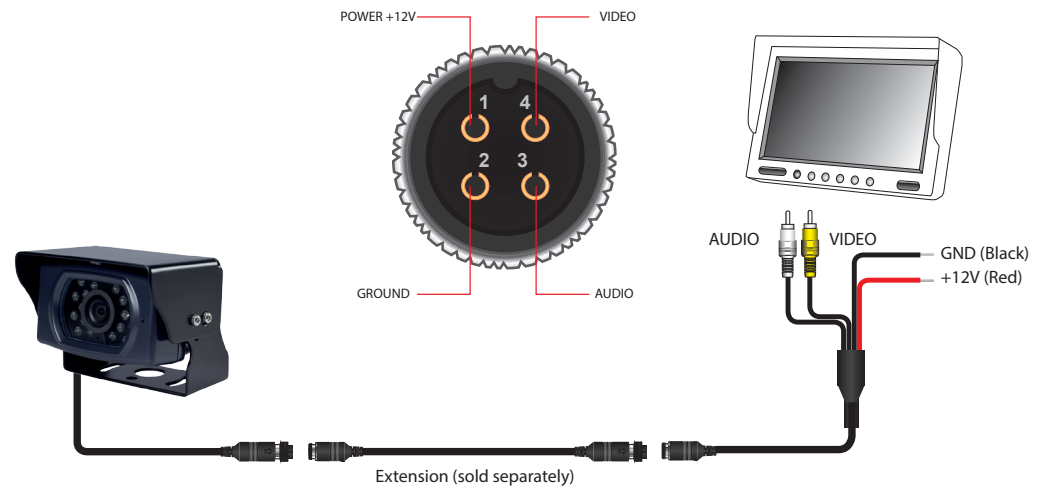
Box Contents

- ▶ Camera
- ▶ Bracket
- ▶ Manual

Dimensions



Wiring Diagram & Pin Out



EchoMaster is a Power Brand of AAMP Global
EchoMaster.com



15500 Lightwave Drive, Suite 202
Clearwater, Florida 33760
email - support@aaampglobal.com (US)
email - technical.eu@aaampglobal.com (Europe)

