

MON-70



# 7" Dash Mount Dual Input Monitor User Manual



ECHOMASTER

# Installation Guide



**MON-70**

7" Dash Mount Dual Input Monitor

## Introduction

**Thank you for purchasing your EchoMaster automotive monitor.**

Your monitor displays a clear, high resolution image of the area surrounding your vehicle, meaning your maneuvering and vehicle awareness will be greatly improved.

Please ensure you read and understand all aspects of this manual before fitting or using your EchoMaster monitor.

## Box Contents

- ▶ User Guide
- ▶ Monitor
- ▶ Mounting Bracket
- ▶ Main Harness
- ▶ GX16-RCA Adapters x 2
- ▶ Remote Control

## Key Features

- ▶ 7" high resolution display
- ▶ Dual video inputs
- ▶ Reverse trigger detect
- ▶ Dash mount fan bracket included
- ▶ Remote control included

**A**

email - [support@aampglobal.com](mailto:support@aampglobal.com) (US)  
tel - 1-800-477-2267 (East Coast) - 1-888-883-2790 (West Coast)  
email - [technical.eu@aampglobal.com](mailto:technical.eu@aampglobal.com) (Europe)



**MON-70**

7" Dash Mount Dual Input Monitor

## Fitting Instructions

Choose a mounting location that will not obscure the driver's view. Also please ensure that the unit is not mounted in a location that will obstruct the operation of any airbags.

Ensure that the mounting area is clean and free of silicone as this will cause the adhesive pad not to adhere.

Secure the bracket in place.

Once the unit is in place, run the connections cable to behind the dash where the connections are to be made as shown in the wiring diagram section of this manual.

## Operating Instructions

To turn on the unit, the vehicle ignition should be active.

The POWER button will turn the screen on.

The V1/V2 button will cycle between AV1 and AV2.

The MENU button will scroll through all the various adjustments that are available.

The + and – buttons will adjust the volume of the unit, and also when in the menu structure they will adjust the various settings.

All of these functions are replicated on the supplied remote control.

# Installation Guide



**MON-70**

7" Dash Mount Dual Input Monitor

## Operating Instructions (continued)

When a 12V input is detected on the green wire the unit will automatically switch to AV2.

If the unit is currently turned off when this trigger is detected it will automatically turn on and switch to AV2.

### Menu

- Brightness:** Adjust the brightness level of the screen between 0 and 40.
- Contrast:** Adjust the contrast of the screen between 0 and 40.
- Color:** Adjust the color of the screen between 0 and 40.
- Volume:** Adjust the volume of the built-in speaker between 0 and 40 (note that operating the arrow controls while NOT in the menu will also adjust the volume).
- Mode:** Change the screen ratio of the image between 16:9 and 4:3 formats.
- TCON:** This allows you to adjust the orientation of the picture between mirrored and non-mirrored and upside down or normal. This allows you to use the monitor with a wide range of cameras and sources in a wide range of applications.
- Language:** Change the language of the on-screen menus between English, Turkish, German, French, Spanish, Portuguese, Italian, Dutch and Chinese (simplified and traditional).
- Source:** Allows you to switch between AV1 and AV2.
- Reset:** This will reset all menus to the default value.

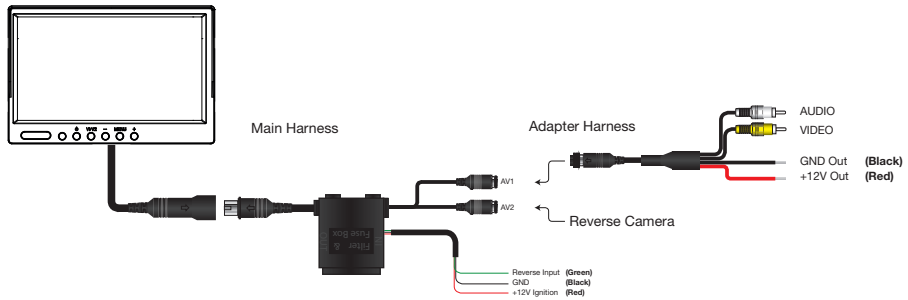
# Installation Guide



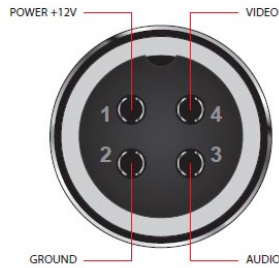
**MON-70**

7" Dash Mount Dual Input Monitor

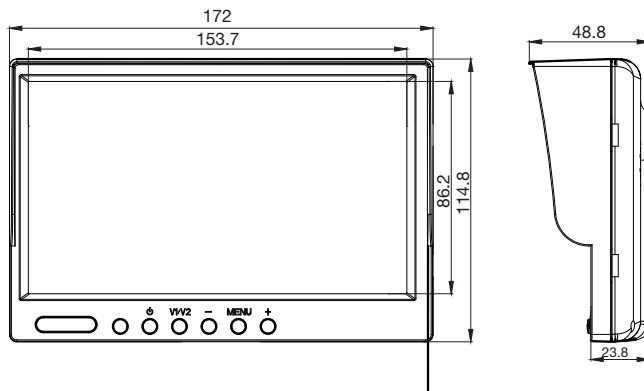
## Wiring Diagram



## Pin Out



## Dimensions (mm)



# Installation Guide



**MON-70**

7" Dash Mount Dual Input Monitor

## Specifications

MON-70	
Screen Size	7.0"
Aspect Ratio	16:9
Power Supply	12-24V DC
Resolution	800x480
Luminance	300
Contrast	500:1
TV Format	AUTO
OSD Languages	Multi
Video Inputs	2
Audio Inputs	2
Triggers	1
Current Draw	420mA
Operating Temperature	-20C - +70C
IP Rating	30
Parking Guidelines	No
Dimensions (mm)	172 x 114.8 x 48.8
Connection Type	GX16

**A**

email - support@aampglobal.com (US)  
tel - 1-800-477-2267 (East Coast) - 1-888-883-2790 (West Coast)  
email - technical.eu@aampglobal.com (Europe)

# Installation Guide



**MON-70**

7" Dash Mount Dual Input Monitor



15500 Lightwave Drive, Suite 202, Clearwater, Florida 33760  
Woolmer Way, Bordon, Hampshire, United Kingdom

email - [support@aampglobal.com](mailto:support@aampglobal.com) (US)  
tel - 1-800-477-2267 (East Coast) - 1-888-883-2790 (West Coast)

email - [technical.eu@aampglobal.com](mailto:technical.eu@aampglobal.com) (Europe)  
tel - +44(0)1420 487110 (sales) - +44(0)1420 470618 (technical)



EchoMaster is a Power Brand of AAMP Global.  
**EchoMaster.com**