

CAM-D1



IP67 Dome Camera with Tamper-Proof Cover

User Manual



EchoMaster.com

EchoMaster is a Power Brand of AAMP Global



email - technical.eu@aampglobal.com (Europe)

email - support@aampglobal.com (US)

Clearwater, Florida 33760

15500 Lightwave Drive, Suite 202



Introduction

Thank you for purchasing your EchoMaster automotive camera.

The following part numbers are supported:

- ▶ CAM-D1-P
- ▶ CAM-D1-N

EchoMaster cameras are designed to improve safety during driving by providing high quality images of surrounding areas and obstacles in the vicinity of the vehicle. They will also improve vehicle maneuvering capability by displaying blind spots not normally visible to the driver.

Please ensure you read and understand all aspects of this manual before fitting or using your EchoMaster Camera. Choose a suitable mounting place dependent on the application. Ensure that there are no wiring harnesses or hoses/pipes located behind this panel before drilling.

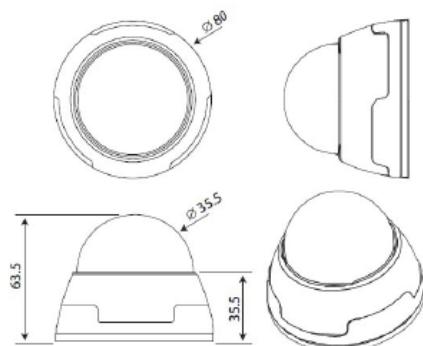
Key Features

- ▶ Tamper-Proof Cover
- ▶ Operates at 0.01 LUX
- ▶ 1/3" CCD Sensor
- ▶ IP67 Rated
- ▶ 150 Degree Viewing Angle

Box Contents

- ▶ Camera
- ▶ Manual
- ▶ Mounting Hardware
- ▶ GX16-RCA Adapter Cable

Dimensions



Specifications

	CAM-D1-P CAM-D1-N	
Sensor	1/3" CCD	
LEDs	0	
Illumination	0.01 LUX	
Viewing Angle	150 degrees	
Mirror Image	No	
Normal Image	Yes	
Water/Debris Proof	IP67	
Audio	No	
Power Supply	12V	
Current	<250mA	
Working Temperature	-20°C - +70°C	
Dimensions (mm)	D (80) x W (80) x H (64)	
System	PAL	NTSC
TV Lines	600	N/A
Resolution (HxV)	752 x 582	N/A

Wiring Diagram & Pin Out

