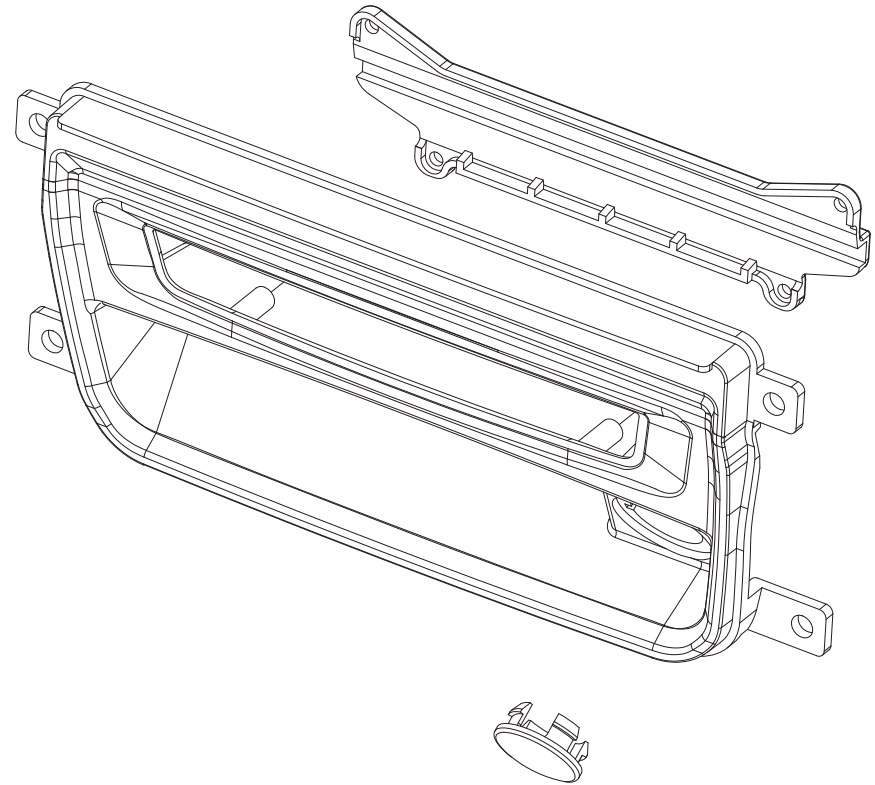




**American
International**
Car Stereo Installation Kits & Accessories



BMW POC Mounting Kit



www.aampglobal.com www.aius.net

2500 East Francis Street Ontario, CA 91761, U.S.A.

Sales: (800) 477-2267

Intl: (727) 572-9255

Support: 888-228-5560

VEHICLE APPLICATIONS

BMW

2006-11 3 SERIES (without OEM Navigation)

2012-13 3 SERIES Non Sedan (without OEM Navigation)

CENTER CONSOLE DISASSEMBLY INSTRUCTIONS

1. Using a soft tool, carefully pry the console starting from the back.
2. Unsnap the shifter boot panel.
3. Unplug CLA connector (no longer used) and fully remove the console.
4. Unscrew (4) T10 Torx screws securing the pocket /ash tray and remove the assembly.
5. Unsnap and remove the switch bank from the factory dash panel.

POCKET ASSEMBLY INSTRUCTIONS

1. Insert switch bank removed from disassembly into the rear opening of the BMWPOC.
2. Install the switch bank hold down bracket on rear of the switch panel using the (4) Phillips screws provided.
3. Insert USB or USB cover into the BMWPOC main frame.

POCKET INSTALLATION INSTRUCTIONS

1. Screw (4) T10 Torx screw back to secure the BMWPOC assembly into the console.
2. Place the console back into position while making sure the switch bank harness goes out thru the left side of the console. (Optional) install and route USB Port.

