



Installation instructions for part 99-3018

Cadillac CTS 2008-2014 99-3018

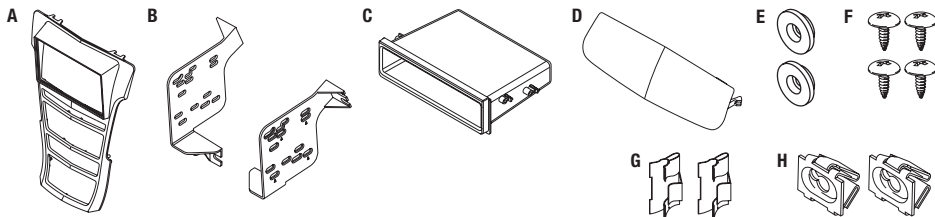
KIT FEATURES

- ISO DIN radio provision with pocket
- ISO DDIN radio provision
- **99-3018HG - gloss black**
99-3018S - silver



KIT COMPONENTS

- A) Radio trim panel • B) Radio brackets • C) Pocket • D) Upper dash trim panel (*for navigation models*)
- E) (2) Plastic washers • F) (4) #8 x 3/8" Phillips screws • G) (2) Metal clips • H) (2) Copper threaded inserts
- I) Axxess interface and wiring harness (*not shown*)



APPLICATIONS

CADILLAC		CTS (Coupe/Sedan)	2008-2013
CTS (Coupe)	2014	CTS-V	2008-2014

* Please note this kit will not work in the Sport Wagon

Table of Contents

Dash Disassembly	2-4
Kit Preparation	5
Kit Assembly	
– ISO DIN radio provision with pocket.....	6
– ISO DDIN radio provision	6
Axxess Interface Installation	7-15

WIRING & ANTENNA CONNECTIONS

Wiring Harness: • Included with kit

Antenna Adapter: • 40-EU10 (sold separately)

Steering wheel control interface: • ASWC-1 (sold separately)

TOOLS REQUIRED

- Panel removal tool • 7mm socket wrench
- T-10 Torx driver • Cutting tool • Phillips screwdriver

CAUTION! All accessories, switches, climate controls panels, and especially air bag indicator lights must be connected before cycling the ignition. Also, do not remove the factory radio with the key in the on position, or while the vehicle is running.

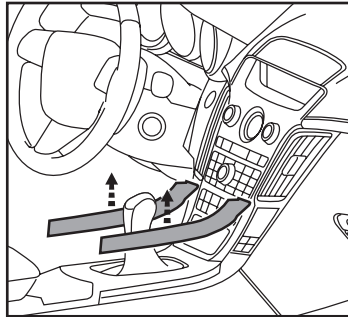
Dash Disassembly

1. Remove the left and right shifter side trim panels. (Figure A)

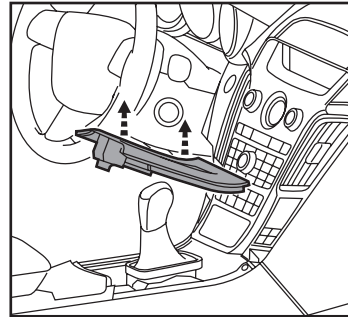
2a. **Auto transmission vehicles:**
Unclip the shifter trim. (Figure B)

Note: *The boot and knob will remain in place).*

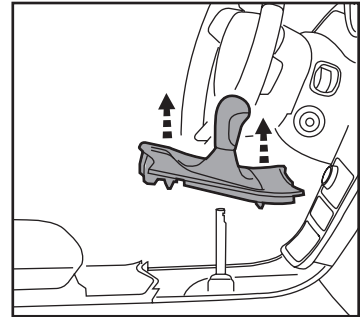
2b. **Manual transmission vehicles:**
Unclip the shifter trim and pull straight up on the shift knob to remove the knob and trim as one unit. (Figure C)



(Figure A)



(Figure B)



(Figure C)

Note: *This requires a lot of force, do not twist the knob or the locking tab inside the shift knob will break).*

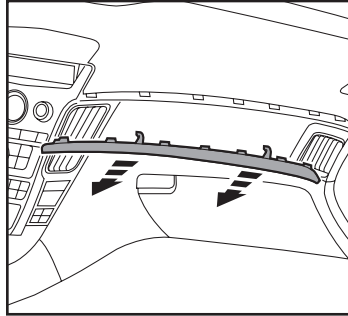
Continued on the next page

Dash Disassembly (Cont)

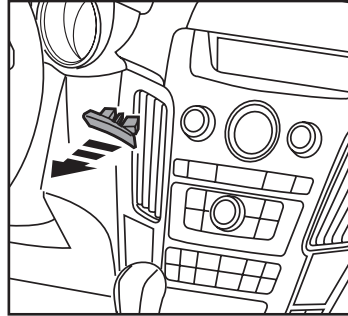
3. Remove the dash trim on both sides of the radio panel.
(Figures D, E)

4. Unclip the top dash radio trim
(*non-navigation models only*).
(Figure F)

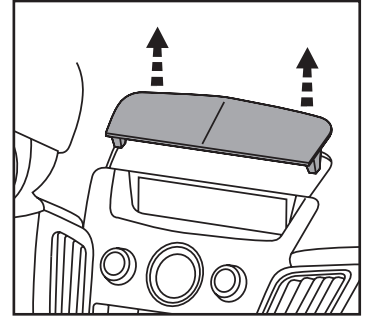
Note: *There will be a strap connected to this panel that cannot be removed until step 5 is performed. After step 5, remove (1) 7mm screw securing the strap and then remove the panel.*



(Figure D)



(Figure E)



(Figure F)

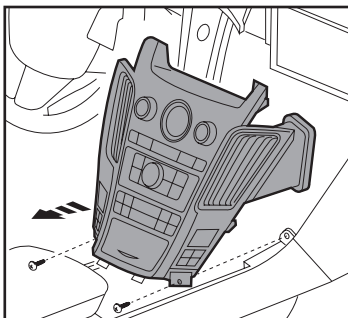
Continued on the next page

Dash Disassembly (Cont)

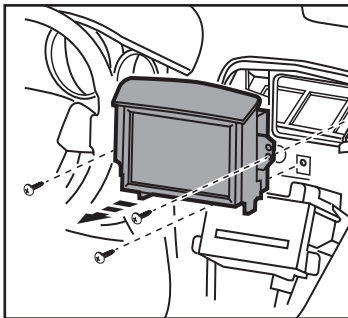
Unless otherwise stated, ensure that the vehicle is completely off before proceeding onto the following steps:

- Remove (2) 7mm screws from the bottom of the radio/climate control panel and unplug & remove the panel (Figure G)

(WARNING!!! Do not unplug the panel if the vehicle has factory navigation, continue to step 6).



(Figure G)



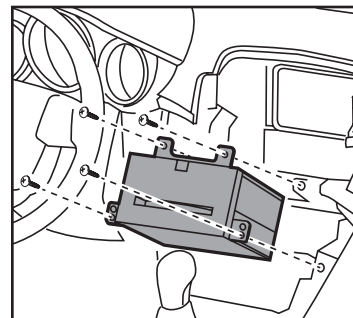
(Figure H)

- Navigation models only:** With the radio/climate control panel still connected, cycle the key to accessory, and then press the button on the upper left of the panel to raise the navigation screen. Remove (3) 7mm screws holding the screen into the dash, unplug and remove the screen, turn the key to the off position, and then remove the key from the ignition. Now it is safe to unplug and remove the radio/climate control panel. (Figure I)

Note: Failure to follow this step properly will result in the airbag light illuminating in the instrument cluster.

- Remove (4) 7mm screws from the radio chassis, and then unplug and remove the radio chassis from the dash. (Figure I)

Continue to Kit Preparation



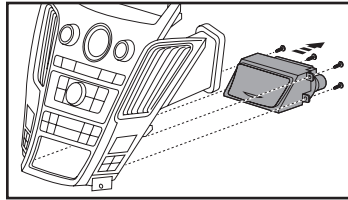
(Figure I)

Kit Preparation

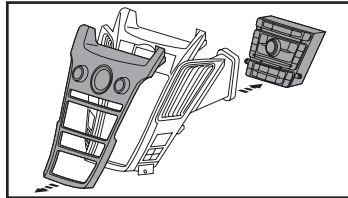
1. Remove (4) Phillips screws to remove the ashtray/pocket from the bottom of the radio/climate control panel. (Figure A)
2. Remove (4) T-10 Torx screws and (16) Phillips screws to remove the radio/climate controls, and radio/climate bezel from the panel. (Figure B)

Note: *The radio/climate bezel will not be used in this installation.*

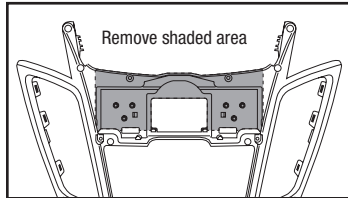
3. Remove (4) Phillips screws to remove the upper screen trim panel.



(Figure A)



(Figure B)



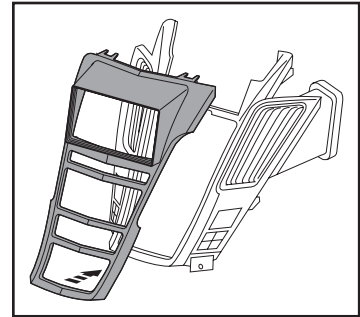
(Figure C)

4. Cut the radio/climate control panel clock support area as shown in the diagram. (Figure C)

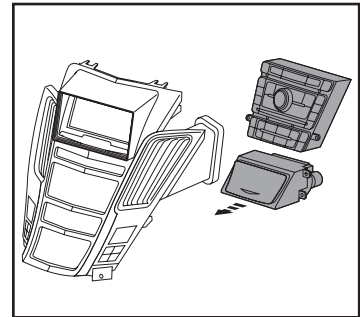
Note: *Vent removal is optional.*

5. Using the factory hardware, secure the *radio trim panel* and the factory radio/climate controls to the modified factory panel. Use the (2) supplied *plastic washers* on the top two mounting positions. (Figures D and E)

Continue to Kit Assembly



(Figure D)



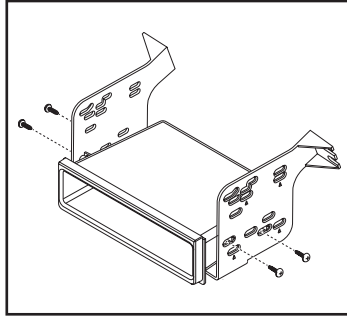
(Figure E)

Kit Assembly

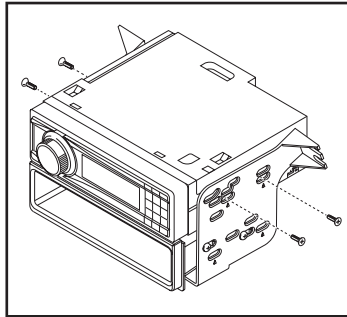
ISO DIN radio provision with pocket

1. Attach the *pocket* to the *radio brackets* using the (4) #8 x 3/8" Phillips screws supplied. (Figure A)
2. Remove the metal "DIN" sleeve and trim ring from the aftermarket radio.
3. Slide the radio into the bracket/pocket assembly, and then secure it using the screws supplied with the radio. (Figure B)

Continue to Axxess Interface Installation



(Figure A)

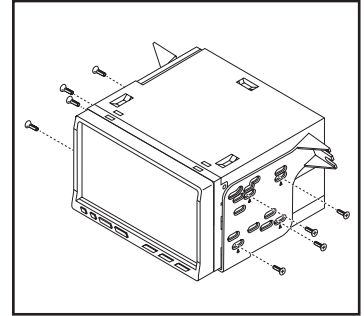


(Figure B)

ISO DDIN radio provision

1. Attach the *radio brackets* to the radio using the screws supplied with the radio. (Figure A)

Continue to Axxess Interface Installation



(Figure A)



99-3018

Axxess Interface Installation

INTERFACE FEATURES

- Provides accessory power (12-volt 10-amp)
- Retains R.A.P. (retained accessory power)
- Can be used in non-amplified, or analog/digital amplified models *
- Provides NAV outputs (parking brake, reverse, and speed sense)
- Prewired ASWC-1 harness included (ASWC-1 sold separately)
- High level speaker input
- Retains balance and fade
- Micro “B” USB updatable

** Please reference the “Service Parts Identification” sticker located under the spare tire cover. If the RPO code UQA is listed, then the vehicle is equipped with an analog “DELCO” amplifier. If the RPO code UQS is listed, then the vehicle is equipped with a digital “BOSE” amplifier.*

INTERFACE COMPONENTS

- Axxess Interface
- 3018 harness
- 16-pin harness with stripped leads
- Resistor pad harness

Table of Contents

Connections to be made.....	8
For models <i>without</i> an amplifier.....	8-9
For models <i>with</i> an analog amplifier.....	10-11
For models <i>with</i> a digital amplifier.....	12-13
Installing the interface.....	14
Initializing the interface.....	14
Adjusting the interface.....	14
Final assembly.....	15

TOOLS REQUIRED

- Wire cutting tool
- Crimping tool
- Tape
- Connectors (example: butt-connectors, bell caps, etc.)



99-3018

Connections to be made

Attention! This interface will work with models that are either non-amplified, analog amplified, or digital amplified. Please follow the instructions carefully for your model vehicle. Failure to do so will result in either no sound, or low sound. If you are unsure if your vehicle is factory amplified or not, please contact your local dealership.

For models *without* an amplifier:

From the 16-pin harness with stripped leads to the aftermarket radio:

- Connect the **Red** wire to the accessory wire.
- If the aftermarket radio has an illumination wire, connect the **Orange/White** wire to it.
- If the aftermarket radio has a mute wire, connect the **Brown** wire to it. If the mute wire is not connected, the radio will turn off when OnStar is activated.
- Connect the **Gray** wire to the right front positive speaker output.
- Connect the **Gray/Black** wire to the right front negative speaker output.
- Connect the **White** wire to the left front positive speaker output.
- Connect the **White/Black** wire to the left front negative speaker output.
- Tape off and disregard the following (5) wires, they will not be used in this application: **Blue/White, Green, Green/Black, Purple, Purple/Black.**

The following (3) wires are for multimedia/navigation radios that require these wires.

- Connect the **Blue/Pink** wire to the VSS/speed sense wire (if applicable).
- Connect the **Green/Purple** wire to the reverse wire (if applicable).
- Connect the **Light Green** wire to the parking brake wire (if applicable).

From the 3018 harness to the aftermarket radio:

- Connect the **Black** wire to the ground wire.
- Connect the **Yellow** wire to the battery wire.
- The **Black/Yellow** wire is used for OnStar level adjustment for models that do not come equipped with steering wheel controls. Refer to the OnStar level Adjustment section for further instructions.
- Connect the **Red** and **White** RCA jacks to the audio AUX-IN jacks of the aftermarket radio.
- Leave connected the (2) 4-pin connectors that have **Gray, Gray/Black, White, and White/Black** wires.
- Cut the resistors off from the **Green, Green/Black, Purple, Purple/Black** wires right below the heat shrink.
- Connect the **Green** wire to the left rear positive speaker output.
- Connect the **Green/Black** wire to the left rear negative speaker output.
- Connect the **Purple** wire to the right rear positive speaker output.
- Connect the **Purple/Black** wire to the right rear negative speaker output.

Continued on the next page

Connections to be made (Cont)

12-pin pre-wired ASWC-1 harness

- This harness is to be used in conjunction with the optional ASWC-1 (not included) to retain steering wheel controls. If the ASWC-1 is not being used, disregard this harness. If it will be used, please refer to the ASWC-1 instructions for radio connections and programming.

Note: Disregard the harness that comes with the ASWC-1.

- Connect the **Red** wire to the accessory wire.

Note: *The relay attached to the 3018 harness is only for audible turn signal clicks. No extra steps are required to retain this feature, so leave the relay as-is.*

Note: *There is an 8-pin harness connected to a small heat shrink wrapped circuit board: **DO NOT DISCONNECT!** The circuit board must remain connected to allow proper operation of the kit.*

Connections to be made (Cont)

Attention! This interface will work with models that are either non-amplified, analog amplified, or digital amplified. Please follow the instructions carefully for your model vehicle. Failure to do so will result in either no sound, or low sound. If you are unsure if your vehicle is factory amplified or not, please contact your local dealership.

For models with an analog amplifier:

From the 16-pin harness with stripped leads to the aftermarket radio:

- Connect the **Red** wire to the accessory wire.
- Connect the **Blue/White** wire to the amp turn on wire. This wire must be connected to hear sound from the factory amplifier.
- If the aftermarket radio has an illumination wire, connect the **Orange/White** wire to it.
- If the aftermarket radio has a mute wire, connect the **Brown** wire to it. If the mute wire is not connected, the radio will turn off when OnStar is activated.
- Connect the **Gray** wire to the right front positive speaker output.
- Connect the **Gray/Black** wire to the right front negative speaker output.
- Connect the **White** wire to the left front positive speaker output.
- Connect the **White/Black** wire to the left front negative speaker output.
- Tape off and disregard the following (4) wires, they will not be used in this application: **Green, Green/Black, Purple, Purple/Black**.

The following (3) wires are for multimedia/navigation radios that require these wires.

- Connect the **Blue/Pink** wire to the VSS/speed sense wire (if applicable).
- Connect the **Green/Purple** wire to the reverse wire (if applicable).
- Connect the **Light Green** wire to the parking brake wire (if applicable).

From the 3018 harness to the aftermarket radio:

- Connect the **Black** wire to the ground wire.
- Connect the **Yellow** wire to the battery wire.
- The **Black/Yellow** wire is used for OnStar level adjustment for models that do not come equipped with steering wheel controls. Refer to the OnStar level Adjustment section for further instructions.
- Connect the **Red** and **White** RCA jacks to the audio AUX-IN jacks of the aftermarket radio.
- Disconnect the (2) 4-pin connectors that have **Gray, Gray/Black, White, and White/Black** wires, and then connect the *resistor pad harness* in place.
- Connect the **Green** wire to the left rear positive speaker output.
- Connect the **Green/Black** wire to the left rear negative speaker output.
- Connect the **Purple** wire to the right rear positive speaker output.
- Connect the **Purple/Black** wire to the right rear negative speaker output.

Continued on the next page

Connections to be made (Cont)

12-pin pre-wired ASWC-1 harness

- This harness is to be used in conjunction with the optional ASWC-1 (not included) to retain steering wheel controls. If the ASWC-1 is not being used, disregard this harness. If it will be used, please refer to the ASWC-1 instructions for radio connections and programming.

Note: Disregard the harness that comes with the ASWC-1.

- Connect the **Red** wire to the accessory wire.

Note: *The relay attached to the 3018 harness is only for audible turn signal clicks. No extra steps are required to retain this feature, so leave the relay as-is.*

Note: *There is an 8-pin harness connected to a small heat shrink wrapped circuit board: **DO NOT DISCONNECT!** The circuit board must remain connected to allow proper operation of the kit.*

Connections to be made (Cont)

Attention! This interface will work with models that are either non-amplified, analog amplified, or digital amplified. Please follow the instructions carefully for your model vehicle. Failure to do so will result in either no sound, or low sound. If you are unsure if your vehicle is factory amplified or not, please contact your local dealership.

For models *with* a digital amplifier:

From the 16-pin harness with stripped leads to the aftermarket radio:

- Connect the **Red** wire to the accessory wire.
- Connect the **Blue/White** wire to the amp turn on wire. This wire must be connected to hear sound from the factory amplifier.
- If the aftermarket radio has an illumination wire, connect the **Orange/White** wire to it.
- If the aftermarket radio has a mute wire, connect the **Brown** wire to it. If the mute wire is not connected, the radio will turn off when OnStar is activated.
- Connect the **Gray** wire to the right front positive speaker output.
- Connect the **Gray/Black** wire to the right front negative speaker output.
- Connect the **White** wire to the left front positive speaker output.
- Connect the **White/Black** wire to the left front negative speaker output.
- Connect the **Green** wire to the left rear positive speaker output.
- Connect the **Green/Black** wire to the left rear negative speaker output.
- Connect the **Purple** wire to the right rear positive speaker output.
- Connect the **Purple/Black** wire to the right rear negative output.

The following (3) wires are only for multimedia/navigation radios that require these wires.

- Connect the **Blue/Pink** wire to the VSS/speed sense wire.
- Connect the **Green/Purple** wire to the reverse wire.
- Connect the **Light Green** wire to the parking brake wire.

From the 3018 harness to the aftermarket radio:

- Connect the **Black** wire to the ground wire.
- Connect the **Yellow** wire to the battery wire.
- Ensure the (2) 4-pin Molex connectors are connected together.
Note: The 4-pin to 4-pin resistor pad harness will not be used in this application.
- The **Black/Yellow** wire is used for OnStar level adjustment for models that do not come equipped with steering wheel controls. Refer to the OnStar level Adjustment section for further instructions.
- Tape off and disregard the following (4) wires, they will not be used in this application: **Green, Green/Black, Purple, Purple/Black**
- Connect the **Red** and **White** RCA jacks to the audio AUX-IN jacks of the aftermarket radio.

Continued on the next page

Connections to be made (Cont)

12-pin pre-wired ASWC-1 harness

- This harness is to be used in conjunction with the optional ASWC-1 (not included) to retain steering wheel controls. If the ASWC-1 is not being used, disregard this harness. If it will be used, please refer to the ASWC-1 instructions for radio connections and programming.

Note: Disregard the harness that comes with the ASWC-1.

- Connect the **Red** wire to the accessory wire.

Note: *The relay attached to the 3018 harness is only for audible turn signal clicks. No extra steps are required to retain this feature, so leave the relay as-is.*

Note: *There is an 8-pin harness connected to a small heat shrink wrapped circuit board: **DO NOT DISCONNECT!** The circuit board must remain connected to allow proper operation of the kit.*

Installing the interface

With the key in the off position

- Connect the 16-pin harness with stripped leads into the interface.
- Connect the 3018 harness into the interface, and then to the wiring harness in the vehicle.

Initializing the interface

Attention! *If the interface loses power for any reason, the following steps will need to be performed again. Also, if installing an ASWC-1, connect it after you initialize and test the interface/radio, with the key in the off position.*

- Turn the key (or push to start button) to the ignition position and wait until the radio comes on.

Note: *If the radio does not come on within 60 seconds, turn the key to the off position, disconnect the interface, check all connections, reconnect the interface, and then try again.*

- Turn the key (or push to start button) to the off position, and close all doors, including the trunk and hood.
- Allow the dome light to go out to ensure no data communication is active.
- Start the vehicle and test all functions of the installation for proper operation, before reassembling the dash.

Note: *If the climate control does not function, turn the key to the off position, disconnect the interface, check all climate control connections, reconnect the interface, and then completely initialize the interface again.*

Adjusting the interface

Audio level adjustment (digital amplified models only):

- With the vehicle and radio turned on, turn the volume up 3/4 of the way.
- With a small flat-blade screwdriver, adjust the potentiometer clockwise to raise the audio level; counterclockwise to lower the audio level.
- Once at a desired level, audio level adjustment is complete.

Chime level adjustment (digital amplified models only)

- With the vehicle on, turn it off and leave the keys in ignition. Open the driver's door; chimes will be heard.
- Wait 10 seconds, and then with a small screwdriver, turn the potentiometer clockwise to raise the chime level; counterclockwise to lower the chime level.
- When the chime is at a desired level, remove the keys from the ignition. This will lock the chime volume at its current level.

OnStar level adjustment

- Press the OnStar button to activate it.
- While OnStar is speaking, press the "Volume up" or "Volume down" buttons on the steering wheel to raise or lower the OnStar level.
- If the vehicle does not come equipped with steering wheel controls, locate the **Black/Yellow** wire on the 22-pin harness.
- While OnStar is speaking, tap the **Black/Yellow** wire to ground. Once the OnStar level is set, it will stay at that level until the **Black/Yellow** wire is tapped to ground again.

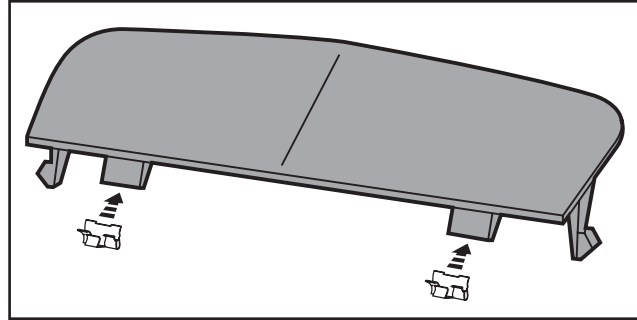
Final Assembly

- Secure the radio/bracket assembly into the dash using the factory hardware.

Note: If the vehicle did not have factory navigation, insert the (2) copper threaded inserts into the empty upper radio mounting holes in the dash cavity.

- Snap the *radio trim panel* over the radio, and then reassemble the dash in reverse order of disassembly.
- The *upper dash trim panel* is intended for use in NAV equipped vehicles only. A factory version of this panel is also available from the dealership.

Note: The metal clips for the upper dash trim panel must be oriented per Figure A or they will not engage properly.



(Figure A)



Installation instructions for part 99-3018



IMPORTANT

If you are having difficulties with the installation of this product, please call our Tech Support line at **1-800-253-TECH**. Before doing so, look over the instructions a second time, and make sure the installation was performed exactly as the instructions are stated. Please have the vehicle apart and ready to perform troubleshooting steps before calling.



KNOWLEDGE IS POWER

Enhance your installation and fabrication skills by enrolling in the most recognized and respected mobile electronics school in our industry. Log onto www.installerinstitute.com or call 800-354-6782 for more information and take steps toward a better tomorrow.



**Metra recommends MECP
certified technicians**

REV 1/23/2017 INST99-3018



Instrucciones de instalación para la pieza 99-3018

Cadillac CTS 2008-2014 99-3018

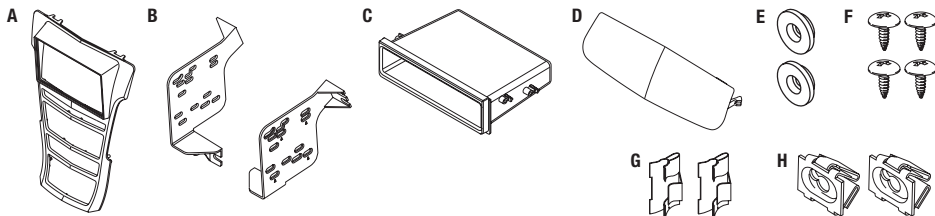
CARACTERÍSTICAS DEL KIT

- Provisión de radio ISO DIN con cavidad
- Provisión de radio ISO DDIN
- **99-3018HG - negro brillante**
99-3018S - plata



COMPONENTES DEL KIT

- A) Panel de moldura de radio • B) Soportes del radio • C) Cavidad • D) Panel de la moldura del tablero superior (*modelos con nav*) • E) (2) Arandelas de plástico • F) (4) Tornillos Phillips #8 x 3/8" • G) (2) Ganchos de metal • H) (2) Insertos roscados de cobre • I) Interfaz Axxess y arnés de cableado (*no se muestra*)



APLICACIONES

CADILLAC		CTS (Coupe/Sedan)	2008-2013
CTS (Coupe)	2014	CTS-V	2008-2014

* Anote qué este kit no funcionará en el Sport Wagon

Indice

Desmontaje del tablero	2-4
Preparación del kit	5
Ensamble del kit	
– Provisión de radio ISO DIN con cavidad	6
– Provisión de radio ISO DDIN	6
Instalación de la interfase Axxess	7-15

CABLEADO Y CONEXIONES DE ANTENA

- Arnés de cableado: • Se incluye con el kit
- Adaptador de antena: • 40-EU10 (se venden por separado)
- Interfase de control en volante: • ASWC-1 (se venden por separado)

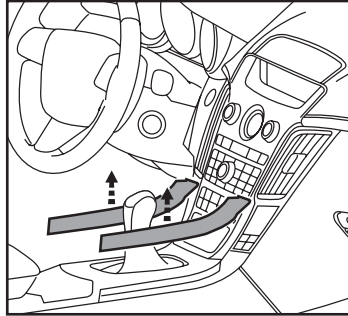
HERRAMIENTAS REQUERIDAS

- Herramienta para quitar paneles • llave de tubo 7mm
- Destornillador Torx T-10 • Herramienta de corte
- Destornillador Phillips

¡PRECAUCIÓN! Todos los accesorios, interruptores, paneles de controles de clima y especialmente las luces del indicador de las bolsas de aire deben estar conectados antes ciclar la ignición. Además, no quite el radio de fábrica con la llave en la posición o de encendido ni con el vehículo funcionando.

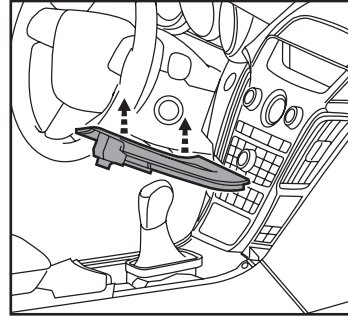
Desmontaje del tablero

1. Retire los paneles de la moldura de la palanca de velocidades del lado izquierdo y derecho. (Figura A)



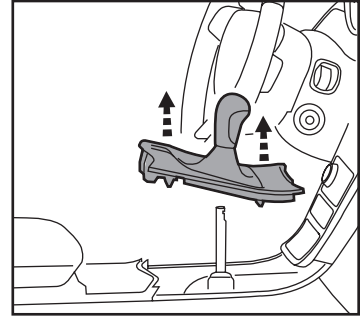
(Figura A)

2a. **Vehículos con transmisión automática:** Desenganche la moldura de la palanca de velocidades (la cubierta y la perilla permanecen en su lugar). (Figura B)



(Figura B)

2b. **Vehículos con transmisión manual:** Desenganche la moldura de la palanca de velocidades y jale hacia arriba la perilla de la palanca para quitar la perilla y la moldura como una sola unidad (Figura C)



(Figura C)

Nota: Esto requiere de mucha fuerza, no gire la perilla o romperá la lengüeta de bloqueo que está en el interior de la perilla de la palanca de velocidades).

(Figura C)

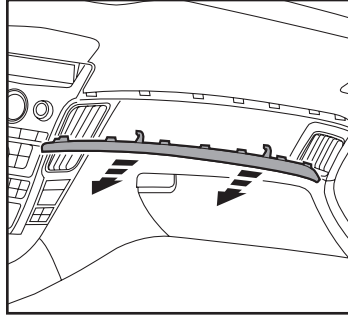
Continúa en la siguiente página

Desmontaje del tablero (Cont)

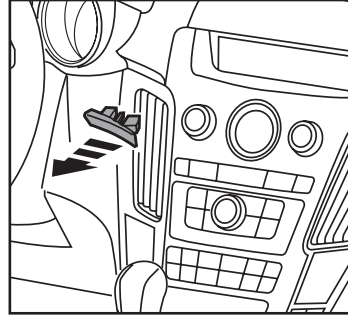
3. Quite la moldura del tablero en ambos lados del panel del radio. (Figuras D, E)
4. Desenganche la moldura del radio del tablero superior (únicamente modelos sin navegación). (Figura F)

Nota: Habrá una correa conectada a este panel que no puede quitarse hasta después de realizar el paso 5. Después de realizar el paso 5, quite el (1) tornillo de 7 mm que sujeta la correa y luego retire el panel.

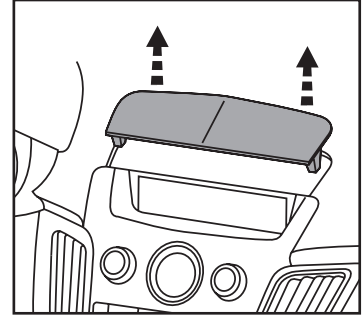
Continúa en la siguiente página



(Figura D)



(Figura E)



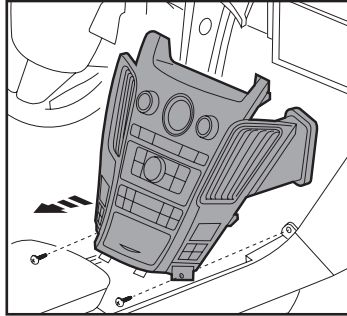
(Figura F)

Desmontaje del tablero (Cont)

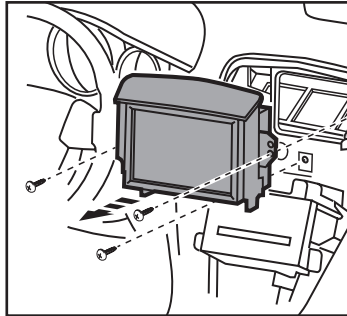
A menos que se indique lo contrario, asegúrese de que el vehículo esté completamente apagado antes de continuar con los siguientes pasos:

5. Quite los (2) tornillos de 7 mm de la parte inferior del panel de control del radio/clima, luego desconecte y quite el panel. (Figura G)

(¡¡¡ADVERTENCIA!!! No desconecte el panel si el vehículo tiene navegación de fábrica, continúe con el paso 6).



(Figura G)



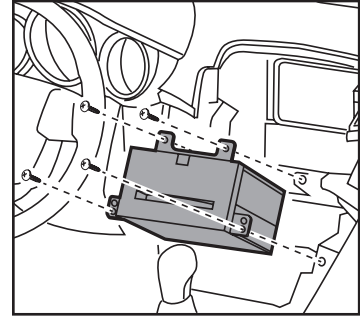
(Figura H)

6. **Solo para modelos con navegación:** Con el panel de control de radio/clima aún conectado, cicle la llave al accesorio y luego presione el botón del lado izquierdo superior del panel para elevar la pantalla de navegación. Quite los (3) tornillos de 7 mm que sujetan la pantalla en el tablero, desconecte y quite la pantalla, gire la llave a la posición de apagado y luego retire la llave de la ignición. Ahora es seguro desconectar y quitar el panel de control del radio/clima.

Nota: No seguir este paso correctamente ocasionará que se encienda la luz de la bolsa de aire en el conjunto de instrumentos. (Figura H)

7. Quite los (4) tornillos de 7 mm del chasis del radio, y después desconecte y quite el chasis del radio del tablero. (Figura I)

Continúe con la Preparación del Kit



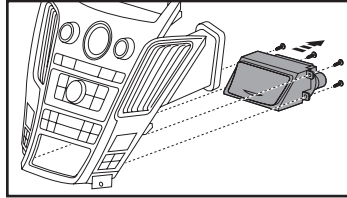
(Figura I)

Preparación del kit

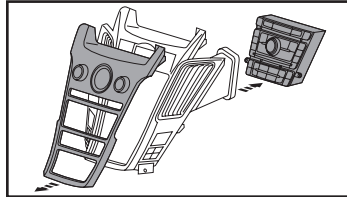
1. Quite los (4) tornillos Phillips para retirar el cenicero/cavidad de la parte inferior del panel de control del radio/clima. (Figura A)
2. Quite los (4) tornillos Torx T-10 y (16) tornillos Phillips para retirar los controles del clima/radio y el bisel del radio/clima del panel. (Figura B)

Nota: El bisel de radio/clima no se utilizará en esta instalación.

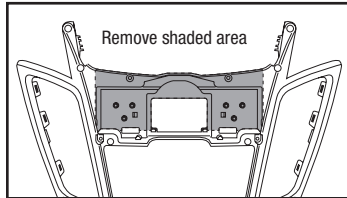
3. Quite los (4) tornillos Phillips para retirar la pantalla superior del panel de la moldura.



(Figura A)



(Figura B)



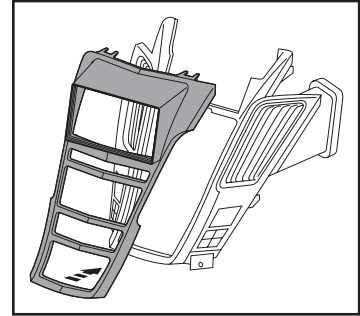
(Figura C)

4. Corte el área de soporte del reloj del panel de control de radio/clima como se muestra en el diagrama. (Figura C)

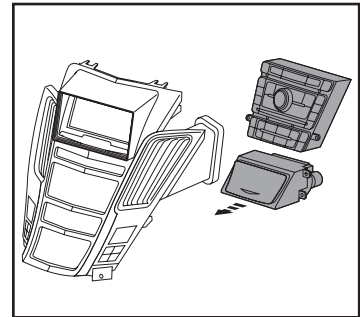
Nota: Retirar la rejilla es opcional.

5. Con la tornillería de fábrica, atornille el panel de la moldura del radio y los controles del clima/radio de fábrica al panel de fábrica modificado. Use las (2) arandelas de plástico suministradas en las dos posiciones superiores de montaje. (Figuras D, E)

Continúe con el Ensamble del Kit



(Figura D)



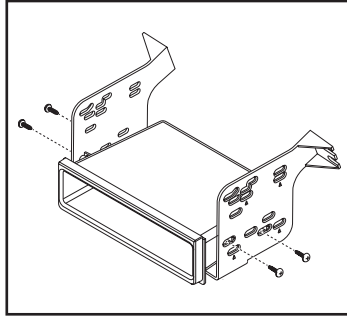
(Figura E)

Ensamble del kit

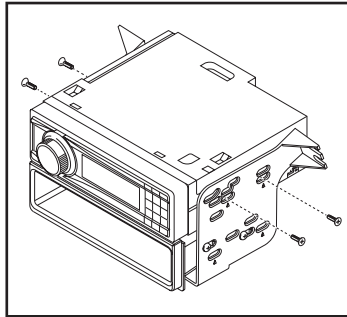
Provisión de radio ISO DIN con cavidad

1. Una la *cavidad* a los *soportes del radio* con los (4) tornillos Phillips #8 de 3/8" suministrados. (Figura A)
2. Quite la manga de metal "DIN" y el anillo de la moldura del radio de mercado secundario.
3. Deslice el radio dentro del conjunto del soporte/la cavidad y sujételo con los tornillos suministrados con el radio. (Figura B)

Continúe con la instalación de la interfase Axxess



(Figura A)

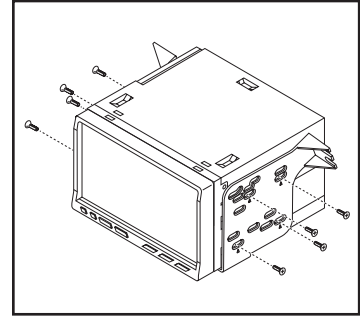


(Figura B)

Provisión de radio ISO DDIN

1. Una los *soportes al radio* usando los tornillos que vienen con el radio. (Figura A)

Continúe con la instalación de la interfase Axxess



(Figura A)

Instalación de la interfase Axxess

CARACTERÍSTICAS DE LA INTERFASE

- Provee corriente de accesorio (12 voltios 10 amperes)
- Retiene R.A.P. (corriente de accesorio retenida)
- Se puede usar en modelos no amplificados o en modelos amplificados análogos/digitales *
- Proporciona salidas de NAV (freno de mano, reversa y sensor de velocidad)
- Arnés ASWC-1 pre cableado incluido (el ASWC-1 se vende por separado)
- Entrada de bocina de alto nivel
- Retiene el balance y la intensidad
- Actualizable por micro "B" USB

* Consulte la etiqueta "Service Parts Identification" pegatina ubicada debajo de la cubierta de repuesto. Si el código RPO, UQA está listado, entonces el vehículo está equipado con un amplificador analógico "DELCO". Si el código RPO, UQS está listado, entonces el vehículo está equipado con un amplificador digital "BOSE".

COMPONENTES DE LA INTERFASE

- Interfase Axxess
- Arnés 3018
- Arnés de 16 pins con conectores pelados
- Arnés de cojinete de resistencia

Índice

Conexiones que se deben hacer	8
Para los modelos <i>sin</i> amplificador	8-9
Para los modelos <i>con</i> amplificador analógico	10-11
Para modelos <i>con</i> amplificador digital	12-13
Instalación la interfase	14
Inicialización la interfase	14
Ajuste la interfase	14
Montaje final	15

HERRAMIENTAS REQUERIDAS

- Cortador de cables
- Pelacables
- Cinta
- Conectores (ejemplo: conectores de extremo, de campana, etc.)

Conexiones que se deben hacer

¡Atención! Esta interfase funcionará con modelos que cuenten con no estén amplificados, analógico amplificado o digital amplificado. Siga las instrucciones cuidadosamente para su modelo de vehículo. Ignorar las instrucciones ocasionará que no haya sonido o que el sonido sea bajo. Si no sabe con seguridad si su vehículo está amplificado de fábrica o no, comuníquese con su concesionario local.

Para los modelos *sin* amplificador:

Del arnés de 16 pins con conectores pelados al radio de mercado secundario:

- Conecte el cable **rojo** con el cable de accesorios.
- Si el radio de mercado secundario tiene un cable de iluminación, conecte el cable **anaranjado/blanco** a ella.
- Si el radio de mercado secundario tiene cable de silencio, conecte el cable **marrón** a ella. Si el cable de silencio no está conectado, el radio se apagará cuando se activa OnStar.
- Conecte el cable **gris** con la salida positiva de la bocina derecha delantera.
- Conecte el cable **gris/negro** con la salida negativa de la bocina derecha delantera.
- Conecte el cable **blanco** con la salida positiva de la bocina izquierda delantera.
- Conecte el cable **blanco/negro** con la salida negativa de la bocina izquierda delantera.
- Enciente e ignore los siguientes (5) cables, ya que no se utilizarán en esta aplicación: **azul/blanco, verde, verde/negro, púrpura, púrpura/negro.**

Los siguientes (3) cables son para radios de mercado secundario con multimedios/ navegación que tienen estos cables.

- Conecte el cable **azul/rosa** al cable VSS o del sensor de velocidad (si aplica).
- Conecte el cable **verde/púrpura** al cable de reversa (si aplica).
- Conecte el cable **verde claro** al cable de freno de mano (si aplica).

Desde el arnés 3018 al radio de mercado secundario:

- Conecte el cable **negro** al cable de tierra.
 - Conecte el cable **amarillo** al cable de la batería.
 - El cable **negro/amarillo** se usa para ajustes a nivel OnStar en modelos que no están equipados con controles en el volante. Vea Ajuste a nivel OnStar para obtener más instrucciones.
 - Conecte los conectores RCA **rojo** y **blanco** con los conectores AUX-IN del radio de mercado secundario.
 - Deje conectado el (2) conectores de 4 pins que tiene los cables **gris, gris/negro, blanco, blanco/negro.**
 - Corte las resistencias de los cables **verde, verde/negro, púrpura** y **púrpura/negro** debajo del termoencogimiento.
 - Conecte el cable **verde** con la salida positiva de la bocina izquierda trasera.
 - Conecte el cable **verde/negro** con la salida negativa de la bocina izquierda trasera.
 - Conecte el cable **púrpura** con la salida positiva de la bocina derecha trasera.
 - Conecte el cable **púrpura/negro** con la salida negativa de la bocina derecha trasera.
- Continúa en la siguiente página*

Conexiones que se deben hacer (Cont)

Arnés ASWC-1 precableado de 12 pins

- Este arnés se debe usar junto con el ASWC-1 opcional (no incluido) para retener los controles en el volante. Si no se va a usar el ASWC-1, ignore este arnés. Si se va a utilizar, consulte las instrucciones de ASWC-1 para las conexiones del radio y la programación.

Nota: Ignore el arnés que viene con el ASWC-1.

- Conecte el cable **rojo** con el cable de accesorios.

Nota: *El relé adjunto a la 3018 únicamente es para los chasquidos audibles de la señal direccional. No se requieren pasos adicionales para retener esta característica, así que deje el relé como está.*

Nota: *Hay un arnés de 8 pines conectado a una pequeña placa de circuito termocontraíble: ¡NO DESCONECTAR! La placa de circuito debe permanecer conectada para permitir el correcto funcionamiento del kit.*

Conexiones que se deben hacer (Cont)

¡Atención! Esta interfase funcionará con modelos que cuenten con no estén amplificados, analógico amplificado o digital amplificado. Siga las instrucciones cuidadosamente para su modelo de vehículo. Ignorar las instrucciones ocasionará que no haya sonido o que el sonido sea bajo. Si no sabe con seguridad si su vehículo está amplificado de fábrica o no, comuníquese con su concesionario local.

Para los modelos con amplificador analógico:

Del arnés de 16 pins con conectores pelados al radio de mercado secundario:

- Conecte el cable **rojo** con el cable de accesorios.
- Conecte el cable **azul/blanco** con el cable de encendido del amplificador. Este cable debe estar conectado para escuchar sonido del amplificador de fábrica.
- Si el radio de mercado secundario tiene un cable de iluminación, conecte el cable **anaranjado/blanco** a ella.
- Si el radio de mercado secundario tiene cable de silencio, conecte el cable **marrón** a ella. Si el cable de silencio no está conectado, el radio se apagará cuando se activa OnStar.
- Conecte el cable **gris** con la salida positiva de la bocina derecha delantera.
- Conecte el cable **gris/negro** con la salida negativa de la bocina derecha delantera.
- Conecte el cable **blanco** con la salida positiva de la bocina izquierda delantera.
- Conecte el cable **blanco/negro** con la salida negativa de la bocina izquierda delantera.
- Encinte e ignore los siguientes (4) cables, ya que no se utilizarán en esta aplicación: **verde, verde/negro, púrpura, púrpura/negro**.

Los siguientes (3) cables son para radios de mercado secundario con multimedios/navegación que tienen estos cables.

- Conecte el cable **azul/rosa** al cable VSS o del sensor de velocidad (si aplica).
- Conecte el cable **verde/púrpura** al cable de reversa (si aplica).
- Conecte el cable **verde claro** al cable de freno de mano (si aplica).

Desde el arnés 3018 al radio de mercado secundario:

- Conecte el cable **negro** al cable de tierra.
- Conecte el cable **amarillo** al cable de la batería.
- El cable **negro/amarillo** se usa para ajustes a nivel OnStar en modelos que no están equipados con controles en el volante. Vea Ajuste a nivel OnStar para obtener más instrucciones.
- Conecte los conectores **RCA rojo y blanco** con los conectores AUX-IN del radio de mercado secundario.
- Desconecte los (2) conectores de 4 pins que tienen cables **gris, gris/negro y blanco/negro**, y luego conecte el arnés *de la almohadilla* de resistencia en su lugar.
- Conecte el cable **verde** con la salida positiva de la bocina izquierda trasera.
- Conecte el cable **verde/negro** con la salida negativa de la bocina izquierda trasera.
- Conecte el cable **púrpura** con la salida positiva de la bocina derecha trasera.
- Conecte el cable **púrpura/negro** con la salida negativa de la bocina derecha trasera.

Continúa en la siguiente página

Conexiones que se deben hacer (Cont)

Arnés ASWC-1 precableado de 12 pins

- Este arnés se debe usar junto con el ASWC-1 opcional (no incluido) para retener los controles en el volante. Si no se va a usar el ASWC-1, ignore este arnés. Si se va a utilizar, consulte las instrucciones de ASWC-1 para las conexiones del radio y la programación.

Nota: Ignore el arnés que viene con el ASWC-1.

- Conecte el cable **rojo** con el cable de accesorios.

Nota: *El relé adjunto a la 3018 únicamente es para los chasquidos audibles de la señal direccional. No se requieren pasos adicionales para retener esta característica, así que deje el relé como está.*

Nota: *Hay un arnés de 8 pines conectado a una pequeña placa de circuito termocontraíble: ¡NO DESCONECTAR! La placa de circuito debe permanecer conectada para permitir el correcto funcionamiento del kit.*

Conexiones que se deben hacer (Cont)

¡Atención! Esta interfase funcionará con modelos que cuenten con no estén amplificados, analógico amplificado o digital amplificado. Siga las instrucciones cuidadosamente para su modelo de vehículo. Ignorar las instrucciones ocasionará que no haya sonido o que el sonido sea bajo. Si no sabe con seguridad si su vehículo está amplificado de fábrica o no, comuníquese con su concesionario local.

Para modelos con amplificador digital:

Del arnés de 16 pins con conectores pelados al radio de mercado secundario:

- Conecte el cable **rojo** con el cable de accesorios.
- Conecte el cable **azul/blanco** con el cable de encendido del amplificador. Este cable debe estar conectado para escuchar sonido del amplificador de fábrica.
- Si el radio de mercado secundario tiene un cable de iluminación, conecte el cable **anaranjado/blanco** a ella.
- Si el radio de mercado secundario tiene cable de silencio, conecte el cable **marrón** a ella. Si el cable de silencio no está conectado, el radio se apagará cuando se activa OnStar.
- Conecte el cable **gris** con la salida positiva de la bocina derecha delantera.
- Conecte el cable **gris/negro** con la salida negativa de la bocina derecha delantera.
- Conecte el cable **blanco** con la salida positiva de la bocina izquierda delantera.
- Conecte el cable **blanco/negro** con la salida negativa de la bocina izquierda delantera.
- Conecte el cable **verde** con la salida positiva de la bocina izquierda trasera.
- Conecte el cable **verde/negro** con la salida negativa de la bocina izquierda trasera.
- Conecte el cable **púrpura** con la salida positiva de la bocina derecha trasera.
- Conecte el cable **púrpura/negro** con la salida negativa de la bocina derecha trasera.

Los siguientes (3) cables son para radios de mercado secundario con multimedios/navegación que tienen estos cables.

- Conecte el cable **azul/rosa** al cable VSS o del sensor de velocidad.
- Conecte el cable **verde/púrpura** al cable de reversa.
- Conecte el cable **verde claro** al cable de freno de mano.

Desde el arnés 3018 al radio de mercado secundario:

- Conecte el cable **negro** al cable de tierra.
- Conecte el cable **amarillo** al cable de la batería.
- Asegúrese de que los (2) conectores Molex de 4 pins estén conectados entre sí.

Nota: El arnés del cojinete de resistencia de 4 pins a 4 pins no se usará en esta aplicación.

- El cable **negro/amarillo** se usa para ajustes a nivel OnStar en modelos que no están equipados con controles en el volante. Vea Ajuste a nivel OnStar para obtener más instrucciones.
- Enciente e ignore los siguientes (4) cables, ya que no se utilizarán en esta aplicación: **verde, verde/negro, púrpura, púrpura/negro**
- Conecte los conectores **RCA rojo y blanco** con los conectores AUX-IN del radio de mercado secundario.

Continúa en la siguiente página

Conexiones que se deben hacer (Cont)

Arnés ASWC-1 precableado de 12 pins

- Este arnés se debe usar junto con el ASWC-1 opcional (no incluido) para retener los controles en el volante. Si no se va a usar el ASWC-1, ignore este arnés. Si se va a utilizar, consulte las instrucciones de ASWC-1 para las conexiones del radio y la programación.

Nota: Ignore el arnés que viene con el ASWC-1.

- Conecte el cable **rojo** con el cable de accesorios.

Nota: *El relé adjunto a la 3018 únicamente es para los chasquidos audibles de la señal direccional. No se requieren pasos adicionales para retener esta característica, así que deje el relé como está.*

Nota: *Hay un arnés de 8 pines conectado a una pequeña placa de circuito termocontraíble: ¡NO DESCONECTAR! La placa de circuito debe permanecer conectada para permitir el correcto funcionamiento del kit.*

Instalación la interfase

Con la llave en la posición de apagado

- Conecte el arnés de 16 pins con conectores pelados a la interfase.
- Conecte el arnés 3018 en la interfaz, y luego al arnés de cableado en el vehículo.

Inicialización la interfase

Atención! Si la interfase pierde energía por cualquier razón, tendrán que volverse a ejecutar los siguientes pasos. Si va a utilizar el ASWC-1, conéctelo después de inicializar y probar el interfase/radio con la llave en la posición de apagado.

- Gire la llave (o pulsar para botón de inicio) a la posición de encendido and y esperar hasta que la radio se enciende.

Nota: Si la radio no se enciende dentro de 60 segundos, gire la llave a la posición de apagado, desconecte la interfase, compruebe todas las conexiones, vuelva a conectar la interfase, y vuelva a intentarlo.

- Gire la llave (o pulsar para botón de inicio) hasta la posición de apagado, y cierre todas las puertas, incluyendo el maletero y la campana.
- Deje que se apague la luz del domo para asegurarse de que no hay comunicación de datos activa.
- Arranque el vehículo y pruebe todas las funciones de la instalación para el funcionamiento correcto, antes de volver a montar el salpicadero.

Nota: Si el climatizador no funciona, gire la llave a la posición de apagado, desconecte la interfase, compruebe todas las conexiones del climatizador, vuelva a conectar la interfase y, a continuación, vuelva a inicializar completamente la interfase.

Ajuste la interfase

Ajuste del nivel de audio (sólo modelos digitales amplificados):

- Con el vehículo y el radio encendidos, aumente el volumen hasta 3/4 de su totalidad.
- Con un pequeño destornillador, ajuste el potenciómetro hacia la derecha para aumentar el nivel de audio y hacia la izquierda para disminuir el nivel de audio.
- Una vez que haya llegado al nivel deseado, el ajuste del nivel de audio está completo.

Ajuste del nivel de tonos (solo en modelos con amplificador digital)

- Con el vehículo encendido, apáguelo y deje las llaves en la ignición. Abra la puerta del conductor, se escucharán los tonos.
- Espere 10 segundos, y después con un pequeño destornillador, gire el potenciómetro hacia la derecha para subir el nivel de los tonos y hacia la izquierda para bajar el nivel de los tonos.
- Cuando el volumen esté en el nivel deseado, retire las llaves de la ignición. Esto bloqueará el volumen de los tonos en su nivel actual.

Ajuste del nivel de OnStar

- Presione el botón OnStar para activarlo.
- Mientras OnStar está hablando, presione los botones de “Subir volumen” o “Bajar volumen” del volante para aumentar o bajar el nivel de OnStar.
- Si el vehículo no está equipado con controles en el volante, encuentre el cable **negro/amarillo** del arnés de 22 pins.
- Mientras OnStar está hablando, toque el cable negro/amarillo a tierra. Una vez que el nivel de OnStar esté ajustado se quedará en ese nivel hasta que el cable **negro/amarillo** se toque a tierra de nuevo.

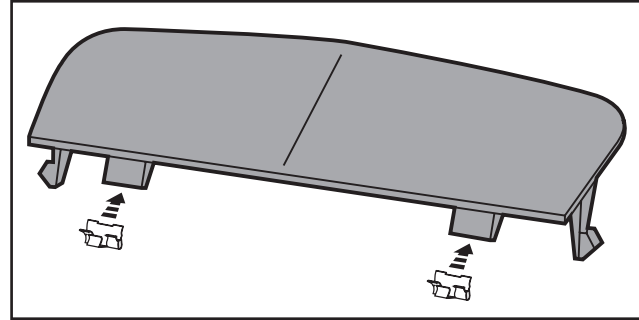
Montaje final

- Asegure la ensamble de radio/soporte en el tablero con el hardware de fábrica.

Nota: Si el vehículo no tiene navegación de fábrica, inserte los (2) insertos roscados de cobre en los orificios de montaje de radio superior vacíos en la cavidad del tablero.

- Coloque el panel de la moldura del tablero sobre la radio y, a continuación, vuelva a montar el tablero en orden inverso al del desmontaje.
- El panel de guillotina superior está diseñado para ser utilizado únicamente en vehículos equipados con NAV. Una versión de fábrica de este panel también está disponible en el concesionario.

Nota: Los clips metálicos para el panel de recorte superior deben estar orientados según la Figura A o no se encajarán correctamente.



(Figura A)



Instrucciones de instalación para la pieza 99-3018



IMPORTANTE

Si tiene dificultades con la instalación de este producto, llame a nuestra línea de soporte técnico al **1-800-253-TECH**. Antes de hacerlo, revise las instrucciones por segunda vez y asegúrese de que la instalación se haya realizado exactamente como se indica en las instrucciones. Por favor tenga el vehículo desarmado y listo para ejecutar los pasos de resolución de problemas antes de llamar.



EL CONOCIMIENTO ES PODER
Mejore sus habilidades de instalación y fabricación inscribiéndose en la escuela de dispositivos electrónicos móviles más reconocida y respetada de nuestra industria. Regístrese en www.installerinstitute.com o llame al 800-354-6782 para obtener más información y avance hacia un futuro mejor.



Metra recomienda técnicos con certificación del Programa de Certificación en Electrónica Móvil (Mobile Electronics Certification Program, MECP).

REV 1/23/2017 INST99-3018