

KX

AMPLIFIERS
Owner's Manual

KXA800.5

Manual del Propietario | **Español**
AMPLIFICADOR DEL LA SERIE KX.5

Benutzerhandbuch | **Deutsch**
VERSTÄRKER DER KX.5-SERIE

Manuel d'utilisation | **Française**
AMPLIFICATEUR DE SERIE KX.5



KX.5-SERIES AMPLIFIERS OWNER'S MANUAL

MODEL:

KXA800.5

IMPORTANT SAFETY WARNING

PROLONGED CONTINUOUS OPERATION OF AN AMPLIFIER, SPEAKER, OR SUBWOOFER IN A DISTORTED, CLIPPED OR OVER-POWERED MANNER CAN CAUSE YOUR AUDIO SYSTEM TO OVERHEAT, POSSIBLY CATCHING FIRE AND RESULTING IN SERIOUS DAMAGE TO YOUR COMPONENTS AND/OR VEHICLE. AMPLIFIERS REQUIRE UP TO 4 INCHES (10CM) OPEN VENTILATION. SUBWOOFERS SHOULD BE MOUNTED WITH AT LEAST 1 INCH (2.5CM) CLEARANCE BETWEEN THE FRONT OF THE SPEAKER AND ANY SURFACE.



PERFORMANCE

Model:

KXA800.5

RMS Power, **AMP1** and **AMP2**

@ 14.4V, 4Ω stereo, ≤ 1% THD+N	50W x 4
@ 14.4V, 2Ω stereo, ≤ 1% THD+N	100W x 4
@ 14.4V, 4Ω mono, ≤ 1% THD+N	200W x 2

RMS Power, **SUB** channel

@ 14.4V, 2Ω mono, ≤ 1.5 % THD+N	400W x 1
@ 14.4V, 4Ω mono, ≤ 1.5 % THD+N	200W x 1

Length [in, cm] 12-3/4, 32.4

Height [in, cm] 2-1/8, 5.5

Width [in, cm] 8-5/16, 21

Frequency Response [Hz] **AMPS 1-2:** 10Hz–20kHz
SUB: 10Hz–160Hz

Signal-to-Noise Ratio [dB] >95dB, A-weighted, re: rated power

Input Sensitivity 250mV–10V

Selectable Electronic Crossover **AMP 1:** OFF/HP/LP, variable 10–5,000Hz with 10X switch; 24dB/octave

AMP 2: OFF/HP/LP/BP, variable HP 10–500Hz, variable LP 40–5,000Hz with 10X switch; 24dB/octave

SUB: Variable LP 10–160Hz; 24dB/octave

KickEQ™ Boost - Variable 0-18db; Center Frequency - 40Hz

Subsonic Filter Variable 10–80Hz; 24dB/Octave

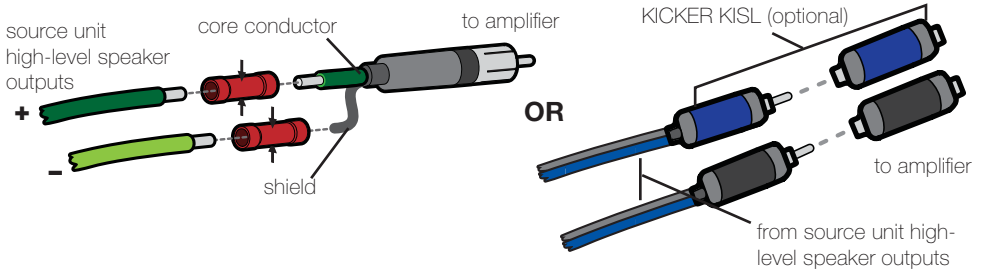
NOTE: 2017 KX amplifier subwoofer channels are 1Ω stable - power rating equivalent to 2Ω operation, +/- 10%

INSTALLATION

Mounting: Choose a structurally sound location to mount your KICKER amplifier. Make sure there are no items behind the area where the screws will be driven. Choose a location that allows at least 4" (10cm) of open ventilation for the amplifier. If possible, mount the amplifier in the climate-controlled passenger compartment. Drill four holes using a 7/64" (3mm) bit and use the supplied #8 screws to mount the amplifier.

Wiring: Disconnect the vehicle's battery to avoid an electrical short. Then, connect the ground wire to the amplifier. Make the ground wire short, 24" (60cm) or less, and connect it to a paint-and-corrosion-free, solid, metal area of the vehicle's chassis. Adding an additional ground wire of this same gauge (or larger) between the battery's negative post and the vehicle chassis is recommended.

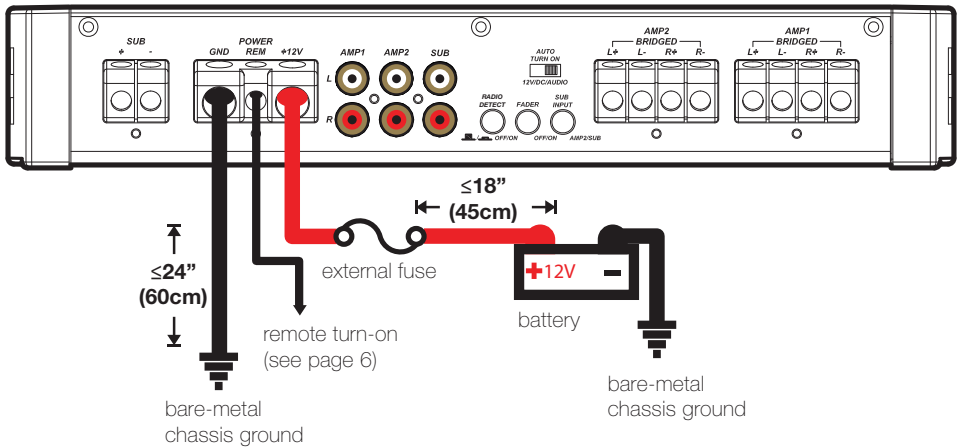
The KX amplifier's RCA inputs will receive either high or low level signals from your car stereo's source unit. A high-level signal can be run from the source unit's speaker outputs to the stereo RCA input on the end panel of the amplifier using the KICKER KISL as shown. Alternatively, the signal can be delivered to the amplifier using the low-level RCA outputs on the source unit. Keep the audio signal cable away from factory wiring harnesses and other power wiring. If you need to cross this wiring, cross it at a 90 degree angle.



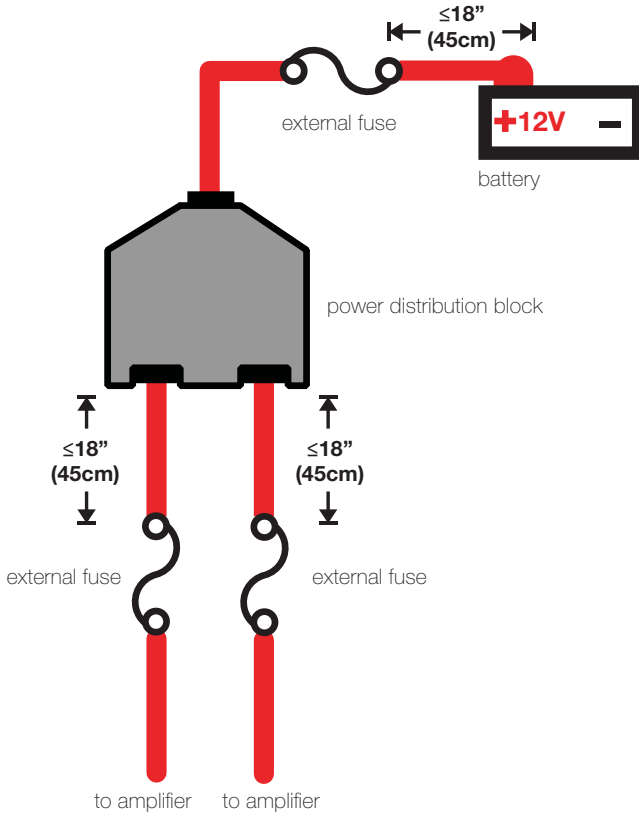
Install a fuse within 18" (45cm) of the battery and in-line with the power cable connected to your amplifier. If you ever need to remove the amplifier from the vehicle after it has been installed, the ground wire should be the last wire disconnected from the amplifier—just the opposite as when you installed it.

Model	External Fuse (sold separately)	Power/Ground Wire	KICKER Wiring Kit
KXA800.5	1 x 100 Ampere	4 Gauge	PK4, CK4

POWER WIRING



For multiple amplifier installations where distribution blocks are used, each amplifier should have its proper-rated fuse, or breaker, installed between the amplifier and the distribution block within eighteen inches of the block, or on the distribution block if it provides for fusing. The primary power wire should also be fused between the battery and distribution block, within eighteen inches of the battery's positive terminal, with a fuse or breaker rated at least to the sum of the individual amplifier's fuse values, but doesn't exceed the capacity of your wiring.



KICKER will now provide a three-year warranty with all KXA-Series Amplifier purchases paired with a qualifying KICKER Installation Kit* .

This extends the standard warranty by an additional year. *Amplifier and Kit must be purchased from an **Authorized KICKER Dealer**.*

KICKER KX amplifier success is currently at an unheard-of rate, making the extended warranty program even more beneficial to you.

Using poor-quality, under-spec wiring kits will impede KX amplifier performance.

A superior-quality KICKER installation Kit is guaranteed to extend the life of KX amplifiers.

The new extended warranty applies only to KICKER amplifiers and accessories sold to consumers by Authorized KICKER Dealers in the United States of America or its possessions. It also only applies to the original purchaser of KICKER amplifiers and accessories. One warranty extension per amplifier is allowed regardless of the number of amplifier installation kits purchased. This program does not apply to "B"-stock product or factory-refurbished product.

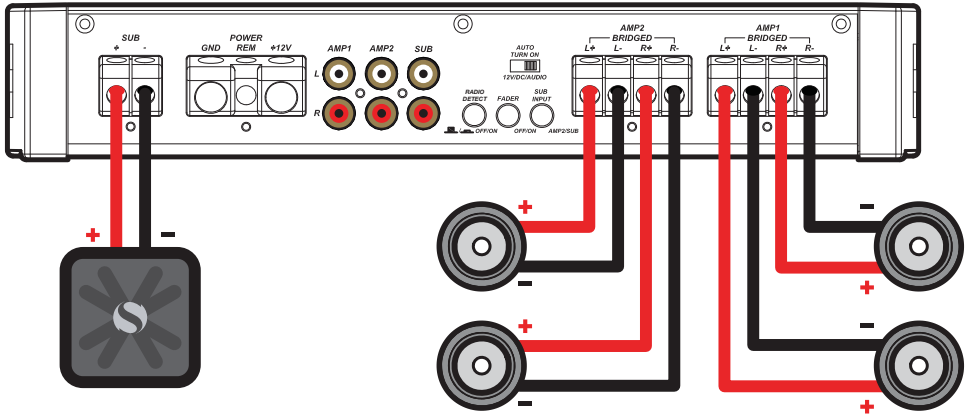
This offer is for a limited time, so see your local Authorized KICKER Dealer soon for details.

***U.S.A. Only | EE.UU. solamente | Nur USA | Les USA Seulement**



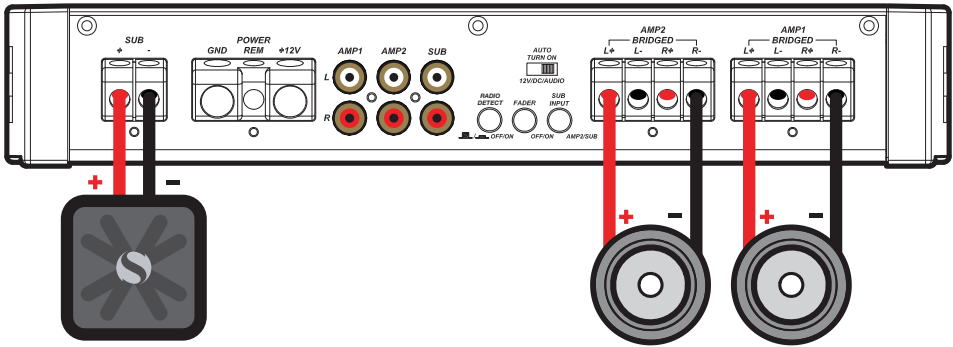
FOUR CHANNEL OPERATION with SUBWOOFER

minimum impedance of 2 ohms per stereo channel (AMP1, AMP2) and 1 ohm per SUB channel.



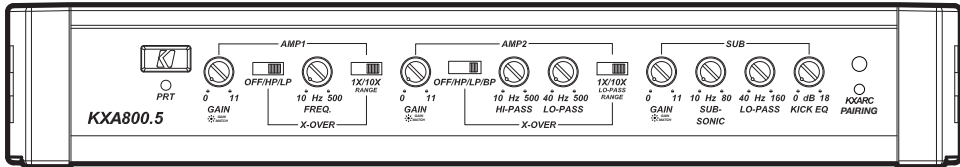
BRIDGED OPERATION

minimum impedance of 4 ohms bridged.



OPERATION

Mini-USB for internal use only; do NOT remove or tamper. KICKER is not responsible for any damage to equipment resulting from connections made to this port.



Automatic Turn-On Selection: The KX series offers three different automatic turn-on modes that can be selected on the end panel; +12V, DC Offset, and Audio. Using either the DC Offset or Audio mode causes the REM terminal to have +12V out for turning on additional amplifiers.

- Remote Turn-On: Set the switch to +12V to use the remote turn-on lead from your source unit. Run 18 gauge wire from the Remote Turn-On Lead on your source unit to the terminal labeled REM between the amplifier's positive and negative power terminals. This is the preferred automatic turn-on method.
- DC Offset Turn-On: If Remote Turn-On is not an option, the next best setting is DC Offset. The DC Offset mode detects a 3V DC offset from the HI-Level speaker outputs when the source unit has been turned on.
- Signal Sense Turn-On: The Audio setting is the final alternative for Automatic turn-on. This is a Signal Sense turn-on method that detects the incoming audio signal from your source unit and automatically turns on the amp. This turn-on method will not work properly if the input gain control is not set appropriately.

Radio Detect: The RCA inputs on KICKER KX amplifiers are capable of receiving either Hi or Low-level signals from your source unit. If you are using Hi-Level inputs, but your source unit cannot detect an audio system present or refuses to play audio out of one or more speakers, you may need to set Radio Detect to ON. This will activate a load resistor at the amplifier's inputs and tell the source unit there are speakers present. Do **NOT** use Radio Detect if you are using a Low-Level input signal; doing so will greatly reduce the input signal.

Fader Switch: Depress the fader switch if you are running two sets of inputs (front and rear for example) to the amplifier. Leave the fader switch OFF if you want to drive all channels from a single stereo input.

Sub Input: If there is no dedicated output on your source unit for a subwoofer, use the SUB INPUT switch to set your subwoofer input to either SUB INPUT or AMP INPUT 2.

Input Gain Control with Gain Matching: The input gain control is not a volume control. It matches the output of the source unit to the input level of the amplifier and features Gain Matching to prevent clipping the input. For a quick setup, turn the source unit up to about 3/4 volume (if the source unit goes to 30, turn it to 25). KICKER recommends using the test tones at www.kicker.com/support/ to reach the most accurate and best performing settings. Next, slowly turn (clockwise) the gain on the amplifier up until you see the Gain LED light up or hear audible distortion, then turn it down a little. If the GAIN knob's backlight comes on, the input is still clipping. For full instructions on Gain Matching, please see the next page.

Crossover Switches with Frequency Multiplier: Use the XOVER switches on the end panel of the amplifier to set the internal crossovers of AMPS 1 & 2 to OFF, HI-PASS, LO-PASS, or BAND-PASS (AMP 2 only). When the switch is set to **OFF**, a full bandwidth signal will be amplified. Set the switch to **HP** if you want the amplifier's internal crossover to serve as a high-pass filter. Set the switch to **LP** if you want the amplifier's internal crossover to serve as a low-pass filter. Set the switch to **BP** when a specific frequency range is required. Never change the crossover switches with the audio system on!

Set the **1X/10X** frequency multiplier switch to the setting that is appropriate for your application. A setting of **10X** will set the range of the **AMP 1** crossover to 100–5,000Hz, and the LO-PASS crossover of **AMP 2** to 400–5,000Hz.

Adjustable Subsonic Filter: The variable subsonic filter will provide a cut-off point for lower frequencies (10–80Hz) that could potentially damage your speakers from over-excursion, along with wasting your amplifier's power. The setting for this control should be set relative to your speaker's low-frequency capability. Recommended for ported enclosures.

KICK EQ Bass Boost Control: The variable bass boost control on the side of the amplifier is designed to give you increased output, 0–18dB, at the selected frequency. The setting for this control is subjective. If you turn it up, you must readjust the input gain control to avoid clipping the amplifier.

Remote Control-KXARC: With the included KXARC remote control, you have the ability to unlock and control DSP functions of the amplifier remotely. See page 8 for installation. 2017 and newer KX amplifiers.

KXARC Pairing: Use the pairing button located above the pairing LED to put the KX amplifier into pairing mode. The light will flash when the amp is in pairing mode and ready to connect to a KXARC remote; once connected it will remain solid.

GAIN MATCHING

In any audio system, the goal is to reach maximum input and output levels without distortion or clipping. The engineers at KICKER have taken the guesswork, and hassle, out of matching the output voltage of your source unit to the amplifier with the Gain Matching feature. To begin, you'll need to download the KICKER test tones from www.kicker.com/test-tones. The following files are available in MP3 and WAV formats:

1kHz @ 0dBFS, 50Hz @ 0dBFS, 1kHz @ -10dBFS, 50Hz @ -10dBFS, 1kHz @ -5dBFS, 50Hz @ -5dBFS

These test tones are sine waves meant to provide a consistent signal for the KX amplifier to reference. The different recording levels are designed to give you the perfect gain match for your application.

0dBFS: Designed for audiophile applications to give you distortion free audio output with the most dynamic range.

-5dBFS: Designed for normal/daily applications, there will be less dynamic range but higher potential audio output levels. With this set up you can get some occasional clipping from the amplifier.

-10dBFS: Designed only for Subwoofer applications, there will be less dynamic range but higher potential audio output levels. With this set up you can get some clipping from the amplifier.

Afterwards, use the following procedure to accurately Gain Match your amplifier(s):

1. Disconnect the speakers from the KX amplifier.
2. Set all EQ and crossover settings to flat on your source unit.
3. Play the downloadable file from KICKER.com
4. Turn the source unit up to 3/4 volume.
5. Increase the gain of the amplifier until the Gain LED turns on.
6. Decrease the gain of the amplifier until the Gain LED turns off.



All level matching circuitry in the KX amplifiers is at the beginning of the signal chain. If you are going to use features like bass boost, SHOCwave or EQ settings, it may be necessary to readjust the gain to a lower setting to compensate for increased output at those frequencies.

Once the amp and source unit are gain matched, you will want to make certain you are not overdriving your speakers. Use the following procedure:

1. Set the source until volume to 0.
2. Reconnect the speakers to the KX amplifier.
3. Slowly increase the volume level of the source unit as you listen for audible distortion.
4. If you can hear clipping, decrease the gain of the amplifier until it is gone.

Likewise, you can use the CLIP indicator feature of the KXARC remote to easily identify which amplifier's output is clipping and when.

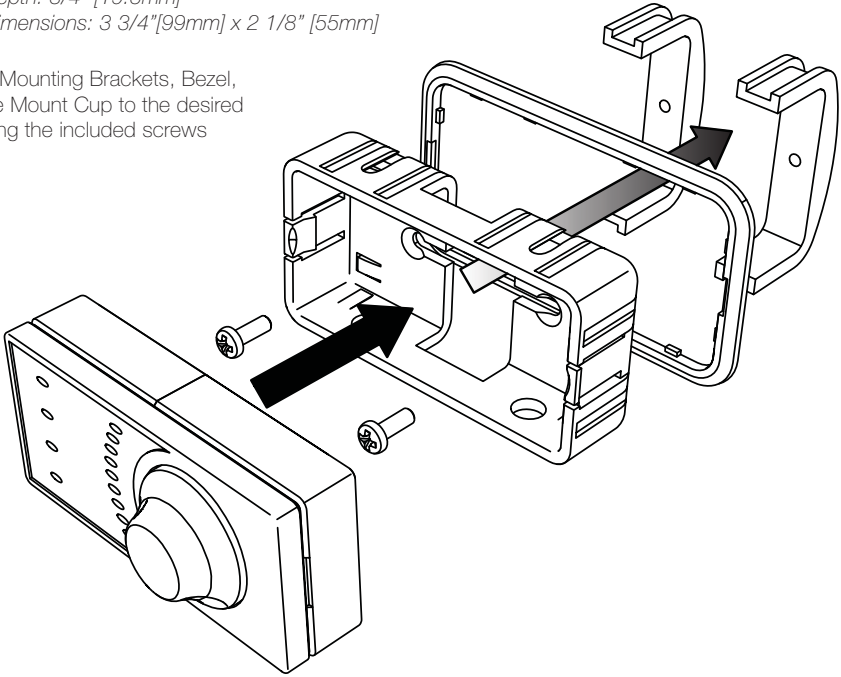
KXARC REMOTE INSTALLATION

FLUSH MOUNTING

mounting depth: 3/4" [19.5mm]

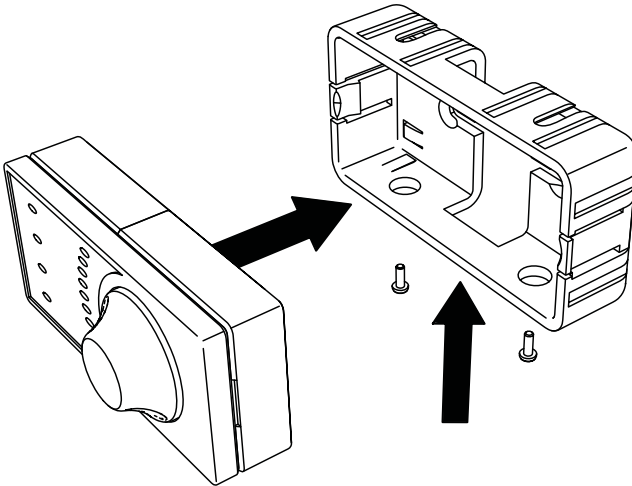
mounting dimensions: 3 3/4" [99mm] x 2 1/8" [55mm]

Secure the Mounting Brackets, Bezel, and Surface Mount Cup to the desired location using the included screws



SURFACE MOUNTING

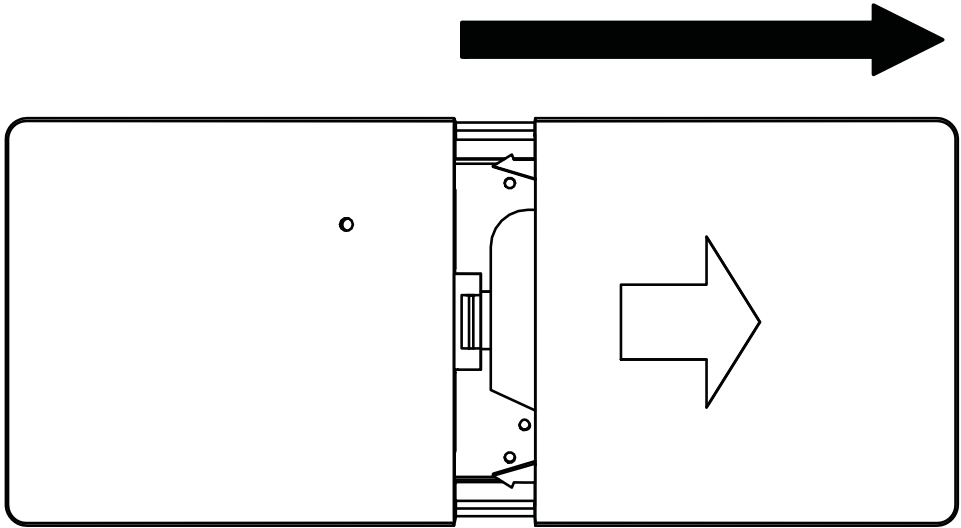
Secure the Surface Mount Cup to the desired location using the included screws.



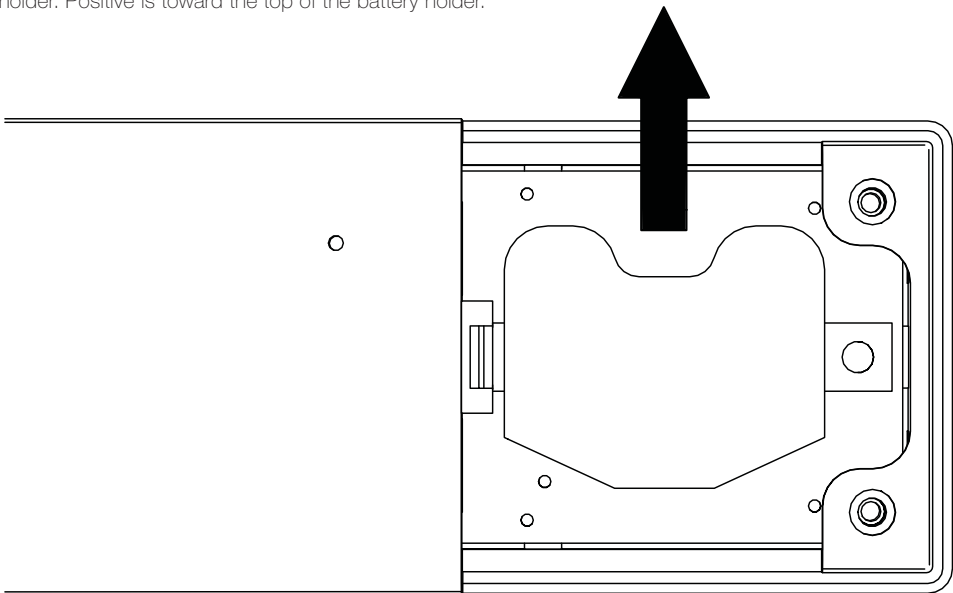
REPLACING THE BATTERY

model: CR2450 (3V)

On the back of the KXARC, slide the battery cover off in the manner shown. This will expose the battery holder.



Slide the battery out of the batter holder from the top. Replace the battery and battery cover in the same manner in which they were removed. Make sure the battery isn't upside down when placed in the battery holder. Positive is toward the top of the battery holder.

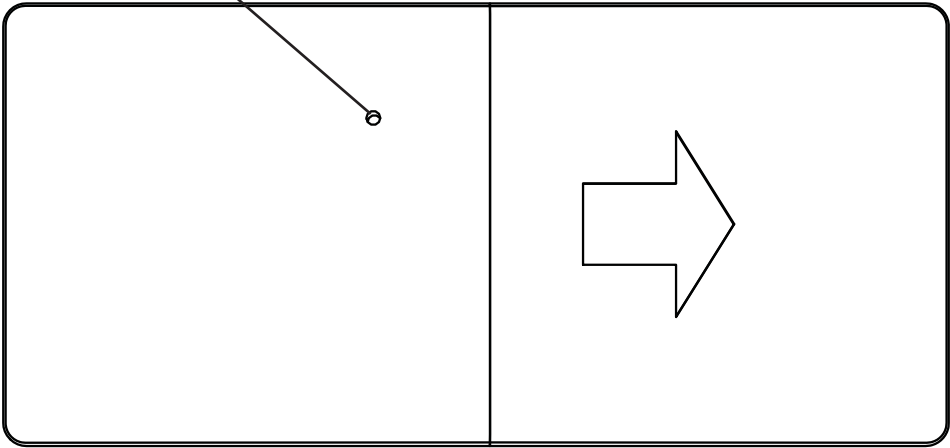


KXARC REMOTE OPERATION

BLUETOOTH® PAIRING

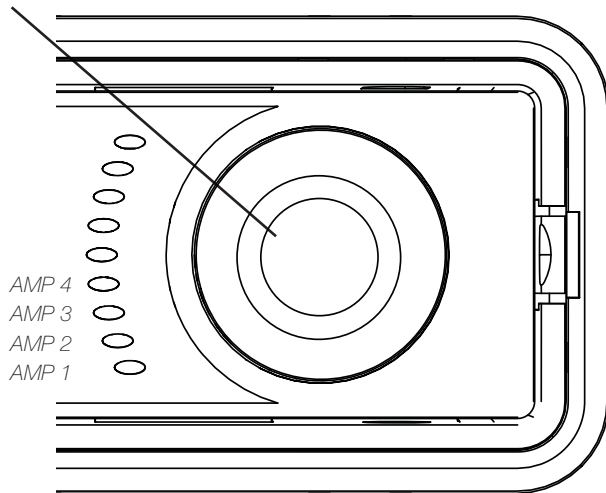
To place the KXARC in pairing mode, insert a pin, paperclip or other available skinny, pointy object into the inconspicuous little hole on the back of the remote and press for 1 second. If the KXA amplifier is also in pairing mode, the devices will connect. Your KXARC will stay in pairing mode to connect to the next amp.

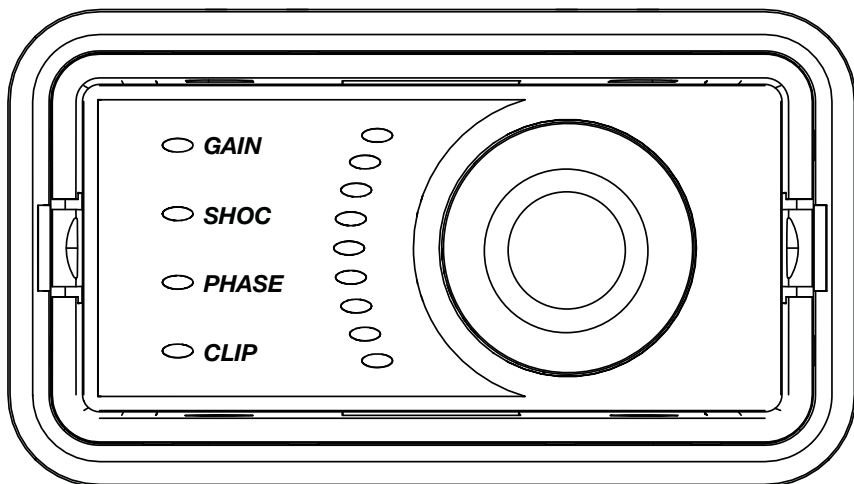
Pairing button



Pairing mode will time out after 30 seconds, or you may press the pairing button again. You may pair up to 4 KXA amplifiers that feature a subwoofer channel (mono or 5-channel models). The KXARC keeps track of each amp and denotes the current amp selected with the bottom 4 status LEDs. If the KXARC LEDs flash three times, it is not currently connected to an amp.

Press & hold to enter LED brightness adjustment.





Press the KXARC knob to cycle through GAIN, SHOC, PHASE, and CLIP settings, then rotate the knob to adjust the corresponding values. The KXARC supports up to 4 KICKER KXA amplifiers featuring a subwoofer channel.

Gain: The KXARC gain control is a gain attenuator from -26dB to 0dB. This will allow you to conveniently adjust the gain of the subwoofer channel on the fly, with the maximum being the gain setting you've selected on the KX amplifier side panel.

SHOCwave: The SHOCwave (Sub Harmonic Octave Creation) will restore low frequencies that are weaker in older recordings or lost in data compression. The SUBWOOFER channel must be operating with a full-range signal for this effect to work properly. Press the knob until SHOC is illuminated, then adjust the knob to a level that is satisfactory.

Phase: The PHASE setting allows you to select the phasing of the subwoofer frequency; 0°, or 180°. If you are experiencing an absence of bass in the audio, the bass frequency may be out of phase with the rest of the system. Delay, reversing positive/negative polarity, or changing subwoofer location may also resolve these types of issues. The top LEDs will indicate 0°, while the bottom will indicate 180°.

Clip: The CLIP indicator will illuminate the LED corresponding to an amplifier with a clipped output signal when CLIP is selected. Simply press the KXARC knob until CLIP is selected, then watch the bottom 4 LEDs to see which amplifier is clipping and at what time. If CLIP is not selected, the CLIP LED will act as a global clip indicator. If you change your Gain or SHOCwave setting, you may notice the CLIP LED become active. This means your new DSP settings have caused an output to clip and you should reduce the gain or compensate in some other way.

TROUBLESHOOTING

If your amplifier does not appear to be working, check the obvious things first such as blown fuses, poor or incorrect wiring connections, incorrect setting of crossover switch and gain controls, etc. There is a Protection (PRT) LED on the side panel of your Kicker KX series amplifier. Depending on the state of the amplifier and the vehicle's charging system, the LED will either glow red or be off.

Red (PRT) LED flickering with loud music? The red (PRT) LED indicates low battery voltage. Check all the connections in your vehicle's charging system. It may be necessary to replace or charge your vehicle's battery or replace your vehicle's alternator.

Red (PRT) LED on, no output? **1** Amplifier is very hot = thermal protection is engaged. Test for proper impedance at the speaker terminals with a VOM meter (see the diagrams in this manual for minimum recommended impedance and multiple speaker wiring suggestions). Also check for adequate airflow around the amplifier. **2** Amplifier shuts down only while vehicle is running = voltage protection circuitry is engaged. Voltage to the amplifier is not within the 10–16 volt operating range. Have the vehicle's charging and electrical system inspected. **3** Amplifier will only play at low volume levels = short circuit protection is engaged. Check for speaker wires shorted to each other or to the vehicle chassis. Check for damaged speakers or speaker(s) operating below the minimum recommended impedance.

No or low output? **1** Check the balance control on source unit **2** Check the RCA (or speaker input) and speaker output connections.

Alternator noise-whining sound with engine's RPM? **1** Check for damaged RCA (or speaker input) cable **2** Check the routing of RCA (or speaker input) cable **3** Check the source unit for proper grounding **4** Check the gain settings and turn them down if they are set too high.

Ground Noise? KICKER amplifiers are engineered to be fully compatible with all manufacturers' head units. Some head units may require additional grounding to prevent noise from entering the audio signal. If you are experiencing this problem with your head unit, in most cases running a ground wire from the RCA outputs on the head unit to the chassis will remedy this issue.

KXARC pairing: If the KXARC LEDs flash three times, it is not currently connected to an amp. Press the pairing button on the back of the remote for 1 second, and the pairing button on the KXA amp. *NOTE:* If the KXARC is not active or in sleep mode, it will not show as connected at the amp.

CAUTION: When jump starting the vehicle, be sure that connections made with jumper cables are correct. Improper connections can result in blown amplifier fuses as well as the failure of other critical systems in the vehicle.

If you have more questions about the installation or operation of your new KICKER product, see the Authorized KICKER Dealer where you made your purchase. For more advice on installation, click on the SUPPORT tab on the KICKER homepage, www.kicker.com. Choose the TECHNICAL SUPPORT tab, choose the subject you are interested in, and then download or view the corresponding information. Please E-mail support@kicker.com or call Technical Services (405) 624-8583 for unanswered or specific questions.



KXA800.5

50W x 4 @ 4 ohms (10Hz–20,000Hz)

Signal to Noise Ratio -75dB CEA-2006B (ref: 1W, A-weighted)

200W x 1 @ 4 ohms (10Hz–160Hz)

Signal to Noise Ratio -75dB CEA-2006B (ref: 1W, A-weighted)

14.4VDC, 1% THD, CEA-2006B (Watts)

MODELOS:

KXA800.5

ADVERTENCIA IMPORTANTE DE SEGURIDAD: LA OPERACIÓN PROLONGADA Y CONTINUA DE UN AMPLIFICADOR DE MANERA DISTORSIONADA O CORTADA PUEDE PROVOCAR QUE SU SISTEMA DE AUDIO SE SOBRECALIENTE CON LA POSIBILIDAD DE INCENDIARSE Y PROVOCAR DAÑOS GRAVES A SUS COMPONENTES O VEHÍCULO. ¡LOS PRODUCTOS KICKER PUEDEN PRODUCIR NIVELES DE SONIDO QUE PUEDEN DAÑAR PERMANENTEMENTE SU OÍDO! SUBIR EL VOLUMEN DE UN SISTEMA A UN NIVEL EN EL CUAL SE ESCUCHA UNA DISTORSIÓN ES MÁS DAÑINO PARA SUS OÍDOS QUE ESCUCHAR UN SISTEMA SIN DISTORSIÓN AL MISMO NIVEL DE VOLUMEN. EL UMBRAL DEL DOLOR ES SIEMPRE UN INDICADOR DE QUE EL NIVEL DEL SONIDO ES MUY ALTO Y PUEDE DAÑAR PERMANENTEMENTE SU AUDICIÓN. USE EL SENTIDO COMÚN AL CONTROLAR EL VOLUMEN.



RENDIMIENTO

Modelo:

KXA800.5

Potencia RMS [Wattios], **AMP1** y **AMP2**

@ 14.4V, 4Ω estéreo, ≤ 1% THD+N	50W x 4
@ 14.4V, 2Ω estéreo, ≤ 1% THD+N	100W x 4
@ 14.4V, 4Ω mono, ≤ 1% THD+N	200W x 2

Potencia RMS [Wattios], **SUB** canal

@ 14.4V, 2Ω monofónico, ≤ 1.5% THD+N	400 x 1
@ 14.4V, 4Ω monofónico, ≤ 1.5% THD+N	200 x 1

Longitud [pulg, cm] 12-3/4, 32.4

Altura [pulg, cm] 2-1/8, 5.5

Ancho [pulg, cm] 8-5/16, 21

Respuesta de frecuencia ± 1dB **AMPS 1-2:** 10Hz–20kHz
SUB: 10Hz–160Hz

Relación señal-ruído >95dB, ponderado-A, re: potencia nominal

Sensibilidad de entrada 250mV–10V

Divisor de frecuencias electrónico seleccionable **AMP 1:** OFF/HP/LP, variable 10–5,000Hz con un interruptor 10X; 24dB/octava
AMP 2: OFF/HP/LP/BP, variable HP 10–500Hz, variable LP 40–5,000Hz con un interruptor 10X; 24dB/octava
SUB: Variable LP 10–160Hz; 24dB/octava

Refuerzo paramétrico de graves KickEQ™ Boost - 0-18db variable; Centro de frecuencia - 40 Hz

Filtro subsónico Variable 10–80Hz; 24dB/Octava

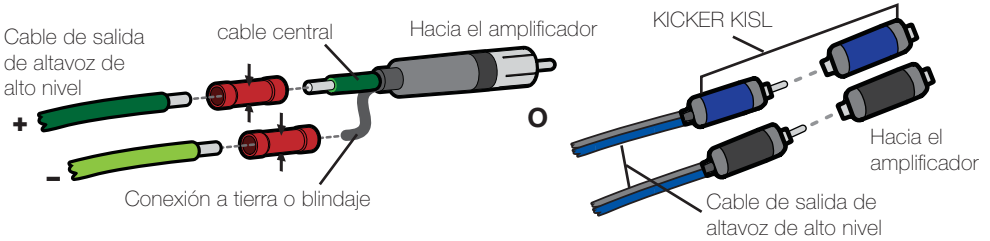
NOTA: Los canales del subwoofer del amplificador KX 2017 tienen estabilidad de 1 Ω, con potencia nominal equivalente a operación de 2 Ω +/- 10%

INSTALACIÓN

Montaje: Escoja un lugar estructuralmente sólido para montar el amplificador KICKER. Asegúrese de que no haya nada por detrás de dónde van a entrar los tornillos. Escoja un lugar en que queden por lo menos 4 plg. (10 cm) de espacio abierto de ventilación alrededor del amplificador. Si es posible, monte el amplificador en el compartimiento de pasajeros, con ambiente acondicionado. Haga cuatro agujeros con una broca de 7/64 de plg. (3 mm) y monte el amplificador con los tornillos N° 8 que se suministran.

Cableado: Desconecte la batería del vehículo para evitar cortocircuitos. Luego, conecte un cable de conexión a tierra al amplificador. El cable de conexión a tierra debe ser corto, de 24 plg. (60 cm) o menos, y debe ir conectado a un punto sólido del chasis del vehículo en que no haya ni pintura ni corrosión. También se recomienda instalar un cable de conexión a tierra adicional, de este mismo calibre (o de mayor calibre), entre la terminal negativa de la batería y el chasis del auto.

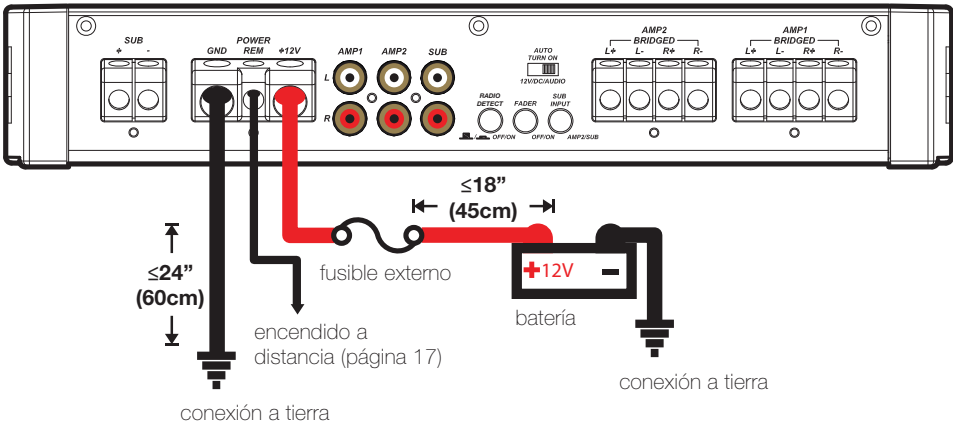
Las entradas RCA del amplificador KX recibirán señales de alto o bajo nivel desde la unidad fuente del estéreo de su automóvil. Una señal de alto nivel se puede transmitir desde las salidas de los altavoces de la unidad fuente hasta la entrada RCA del estéreo en el panel inferior del amplificador utilizando el KICKER KISL, como se muestra en la imagen. Alternativamente, la señal se puede transmitir hacia el amplificador utilizando las salidas RCA de bajo nivel en la unidad fuente. Mantenga el cable de señal de audio lejos de los ameses de cableado de fábrica y de otros cables eléctricos. Si necesita cruzar este cableado, hágalo a un ángulo de 90 grados.



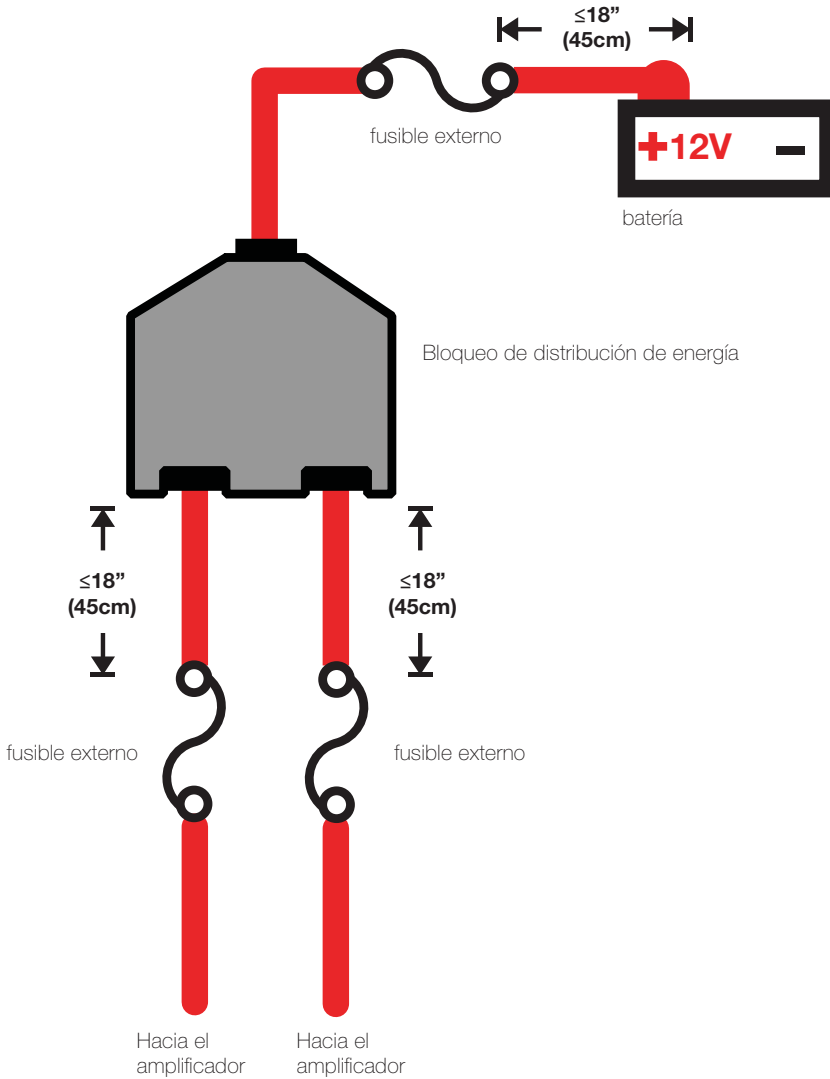
Instale un fusible a menos de 18 plg. (45 cm) de la batería y en línea con el cable de alimentación conectado al amplificador. Si alguna vez necesita desmontar el amplificador, el cable de conexión a tierra debe ser el último que se desconecte del amplificador. Exactamente lo contrario de lo que se hace cuando se instala.

Modelo	Fusible Externo (no incluido)	Cable de Alimentación y Conexión a Tierra	Kit de cableado KICKER
KXA800.5	1 x 100A	Calibre 4	PK4, CK4

CABLEADO DE ALIMENTACIÓN

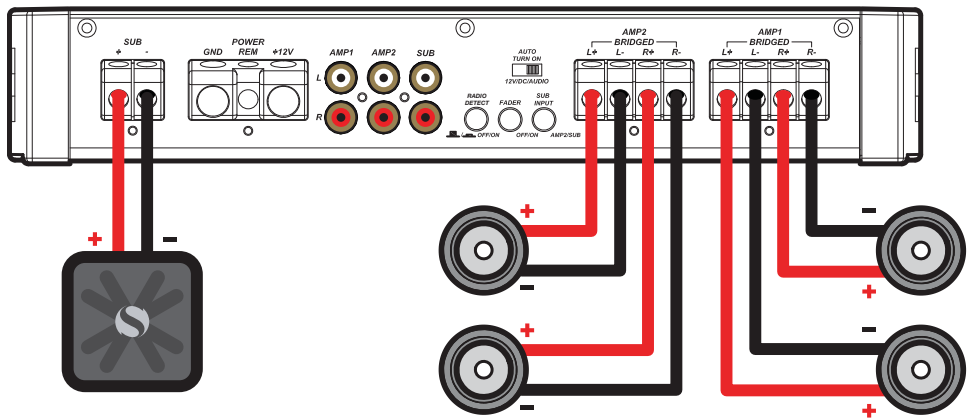


Para múltiples instalaciones de amplificadores en las que se utilicen bloques de distribución, cada amplificador debe tener su fusible, o interruptor, de la capacidad correcta instalado entre el amplificador y el bloque de distribución a una distancia máxima de 18 pulgadas del bloque, o bien en el bloque de distribución si provee conexión al fusible. El cable principal de energía también se debe fusionar entre la batería y el bloque de distribución, a una distancia máxima de 18 pulgadas de la terminal positiva de la batería, con un fusible o interruptor con capacidad al menos similar a la suma de los valores del fusible del amplificador, pero que no supere la capacidad de su cableado.



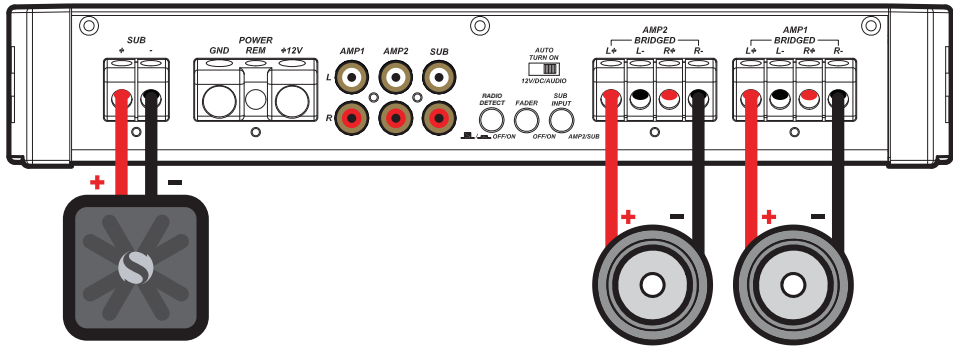
FUNCIONAMIENTO POR CUATRO CANALES CON SUBWOOFER

impedancia mínima de 2 ohmios por canales (AMP1, AMP2) y 1 ohmio por SUB canales

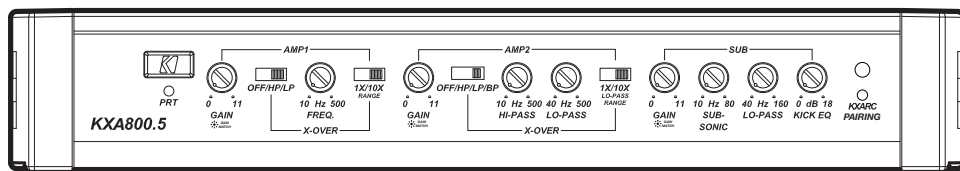


FUNCIONAMIENTO EN PUENTE

impedancia mínima de 4 ohmios en puente



FUNCIONAMIENTO



Selección de Encendido Automático: La serie KX ofrece dos modalidades de encendido automático que: +12V, y compensación de CC.

- Encendido a Distancia: Instale cable calibre 18 desde el conductor de encendido a distancia de la unidad fuente hasta la terminal etiquetada REM entre las terminales de alimentación positiva y negativa del amplificador.
- Encendido por Compensación de CC: En la modalidad de compensación de CC, el amplificador detecta una subida de 3V de las salidas de altavoz de alto nivel cuando la unidad fuente se ha encendido.
- Encendido por Detección de Señal: La modalidad de es la opción final de encendido automático. Este es un método de encendido en que el amplificador detecta la señal de audio procedente de la unidad fuente y se enciende automáticamente. Este método de encendido no funciona correctamente si el control de amplificación de entrada no se ha fijado correctamente.

Detección de radio: Las entradas RCA de los amplificadores KICKER KX pueden recibir señales de alto o bajo nivel desde la unidad fuente. Si usa entradas de alto nivel, pero su unidad fuente no puede detectar un sistema de audio presente o rechaza la reproducción de audio en uno o más altavoces, es probable que deba activar la Detección de radio. Esto activará un resistor de carga en las entradas del amplificador y comunicará a la unidad fuente la presencia de altavoces. NO utilice la Detección de radio si usa una señal de entrada de bajo nivel; si lo hace, se reducirá notablemente la señal de entrada.

Interruptor del atenuador: Deprima el interruptor del atenuador si está operando dos juegos de entrada (delantero y trasero por ejemplo) al amplificador. Deje el interruptor del atenuador apagado si desea manejar todos los canales desde una única entrada estéreo.

Sub entrada: Si no existe una salida dedicada en su unidad fuente para un subwoofer, utilice el interruptor de SUB ENTRADA para ajustar la entrada de su subwoofer ya sea a la SUB ENTRADA o a la ENTRADA AMP 2.

Control de Crossover: Control de Crossover: El crossover variable ubicado en la parte de arriba del le permite ajustar la frecuencia de crossover de 40 a 160Hz. La configuración de este control es subjetiva; 80Hz es un buen punto de partida.

Control de ganancia de entrada con Sincronización de ganancia: El control de ganancia de entrada no es un control de volumen. Sincroniza la salida de la unidad fuente con el nivel de entrada del amplificador, y cuenta con Sincronización de ganancia para evitar recortes de la entrada. Para realizar una configuración rápida, suba el volumen de la unidad fuente hasta aproximadamente 3/4 (si la unidad fuente llega a 30, súbala a 25). Luego, suba lentamente (hacia la derecha) la ganancia en el amplificador hasta que se encienda la luz LED de ganancia o hasta que escuche una distorsión, luego bájela un poco. KICKER recomienda que se usen los tonos de prueba en www.kicker.com/support/ para alcanzar los ajustes más exactos y de mejor desempeño. Si se enciende la luz de fondo de la perilla GAIN (Ganancia), significa que aún hay recorte en la entrada. Lea la siguiente página para obtener todas las instrucciones sobre la Sincronización de ganancia.

Interruptores de transición con multiplicador de frecuencia: Use los interruptores XOVER en el panel final del amplificador para ajustar las transiciones internas de AMPS 1 y 2 a APAGADO, PASO ALTO, PASO BAJO, o PASO DE BANDA (únicamente AMP 2). Cuando el interruptor se ajusta a APAGADO, se amplificará una señal completa de banda ancha. Ajuste el interruptor a HP si desea que la transición interna del amplificador sirva como un filtro de paso alto. Ajuste el interruptor a LP si desea que la transición interna del amplificador sirva como un filtro de paso bajo. Ajuste este interruptor a BP cuando requiera un rango de frecuencia específico. ¡Nunca cambie los interruptores de transición cuando esté encendido el sistema de audio!

Ajuste el interruptor del multiplicador de frecuencia 1X/10X a la selección que sea apropiada para su aplicación. Un ajuste de 10X seleccionará el rango de transición de AMP 1 a 100–5,000Hz, y la transición de LO-PASS del AMP 2 a 400–5,000Hz.

Filtro subsónico ajustable: El filtro subsónico variable proporcionará un punto de corte final para las frecuencias más bajas (10 – 80 Hz) que pueden dañar sus altavoces por sobreamplitud, además de consumir la energía de su amplificador. Este control se debe configurar en relación con la capacidad de baja frecuencia de su altavoz. Recomendado para gabinetes con puertos.

Control de potencializador de graves KICK EQ: El control de potencializador de graves variable del amplificador está diseñado para brindarle una mayor salida, 0 – 18 dB, a la frecuencia seleccionada. La configuración de este control es subjetiva. Si lo aumenta, debe reajustar el control de ganancia de entrada para evitar recortes en el amplificador.

Control remoto KXARC: Con el control remoto KXARC incluido, usted tiene la capacidad de desbloquear y controlar las funciones DSP del amplificador de manera remota. Lea la página 19 para obtener instrucciones de instalación. Amplificadores KX 2017 y más nuevos.

Sincronización del KXARC: Utilice el botón de sincronización ubicado encima de la luz LED de sincronización para ajustar el amplificador KX en modo de sincronización. La luz destellará cuando el amplificador se encuentre en modo de sincronización, y estará listo para conectarse a un control remoto del KXARC; una vez conectado, la luz permanecerá sólida. Mantenga presionado el botón de sincronización para borrar la lista de dispositivos.

SINCRONIZACIÓN DE GANANCIA

En un sistema de audio, el objetivo es lograr los niveles máximos de entrada y salida sin distorsión ni recortes. Con la función "Sincronización de ganancia", los ingenieros de KICKER lograron que no sea necesario hacer conjeturas ni complicarse a la hora de sincronizar el voltaje de salida de su unidad de alimentación con el amplificador. Para comenzar, deberá descargar los tonos de prueba de KICKER desde www.kicker.com/test-tones. Los siguientes archivos están disponibles en formato MP3 y WAV:

1 kHz a 0 dBFS, 50 Hz a 0 dBFS, 1 kHz a -10 dBFS, 50 Hz a -10 dBFS, 1 kHz a -5 dBFS, 50 Hz a -5 dBFS

Estos tonos de prueba son ondas senoidales que tienen como fin ofrecer una señal uniforme para que el amplificador KX pueda tener como referencia. Los diferentes niveles de grabación están diseñados para darle una sincronización de ganancia perfecta para su aplicación.

0 dBFS: Diseñado para aplicaciones de aficionados a la música, para ofrecerle una salida de audio sin distorsiones con el rango más dinámico.

-5 dBFS: Diseñado para aplicaciones normales/diarias, ofrece menos rango dinámico, pero niveles de salida de audio potencialmente más altos. Con esta configuración, puede haber algunos recortes ocasionales desde el amplificador.

-10 dBFS: Diseñado únicamente para aplicaciones de subwoofers, ofrece menos rango dinámico, pero niveles de salida de audio potencialmente más altos. Con esta configuración, puede haber algunos recortes desde el amplificador.

A continuación, siga este procedimiento para Sincronizar ganancia en forma precisa en sus amplificadores:

1. Desconecte los altavoces del amplificador KX.
2. Coloque todos los ajustes del ecualizador y del divisor de frecuencias en plano en su unidad de alimentación.
3. Reproduzca el archivo descargado desde KICKER.com.
4. Suba el volumen de la unidad de alimentación a 3/4 de su capacidad.
5. Aumente la ganancia del amplificador hasta que se encienda la luz LED de ganancia.
6. Disminuya la ganancia del amplificador hasta que se apague la luz LED de ganancia.



Todos los circuitos de sincronización de nivel de los amplificadores KX están al inicio de la cadena de señal. Si va a utilizar funciones como el potencializador de graves, SHOCwave o configuraciones del ecualizador, es posible que necesite reajustar la ganancia a una configuración inferior para compensar una mayor salida en esas frecuencias.

Cuando el amplificador y la unidad de alimentación tienen la ganancia sincronizada, debería asegurarse de no usar los altavoces excesivamente. Use el siguiente procedimiento:

1. Establezca el volumen de la unidad de alimentación en 0.
2. Vuelva a conectar los altavoces al amplificador KX.
3. Aumente en forma lenta el nivel de volumen de la unidad de alimentación a medida que escucha para detectar si hay distorsión.
4. Si oye recortes, disminuya la ganancia del amplificador hasta que hayan desaparecido.

De la misma forma, puede utilizar la función del indicador CLIP del control remoto KXARC para identificar con facilidad cuál es el amplificador cuya salida tiene recortes, y en qué momento los tiene.

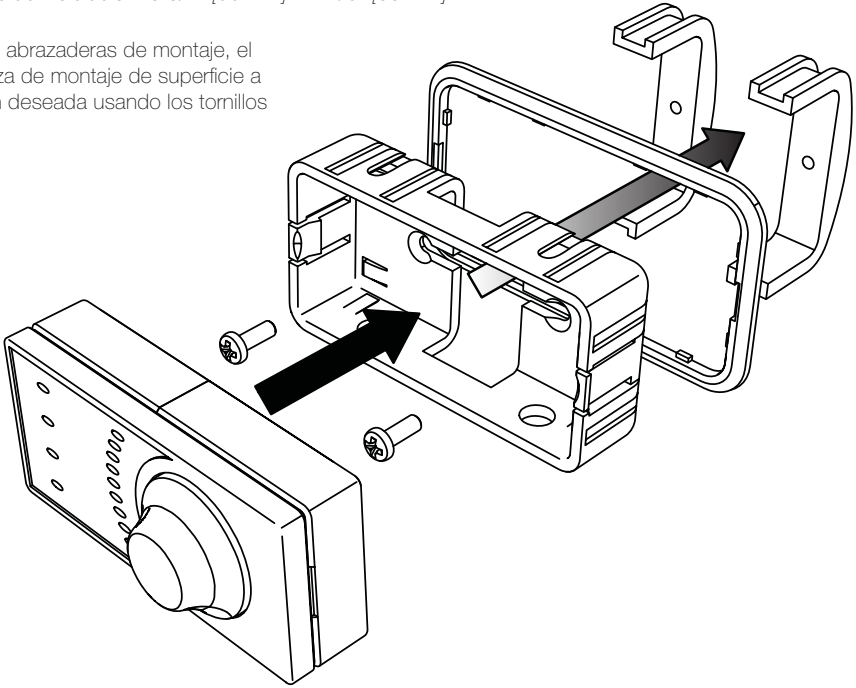
KXARC INSTALACIÓN REMOTA

EMPOTRADO

profundidad de instalación: 3/4" [19.5 mm]

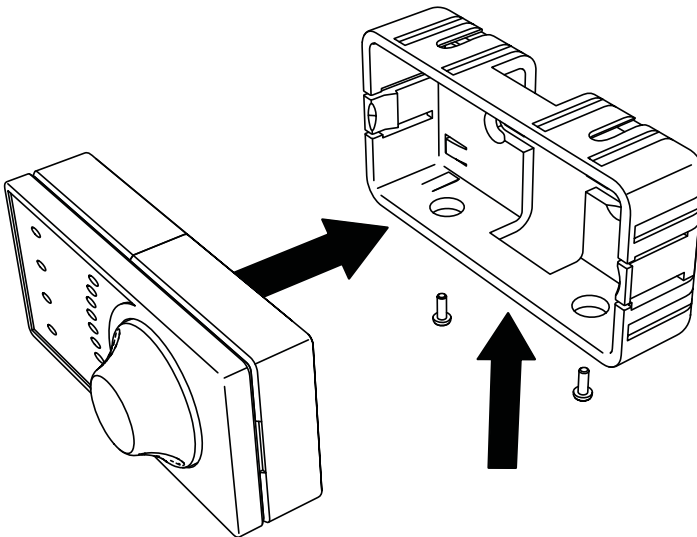
dimensiones de instalación: 3 3/4" [99 mm] x 2 1/8" [55 mm]

Asegure las abrazaderas de montaje, el bisel y la taza de montaje de superficie a la ubicación deseada usando los tornillos incluidos.



MONTAJE EN SUPERFICIE

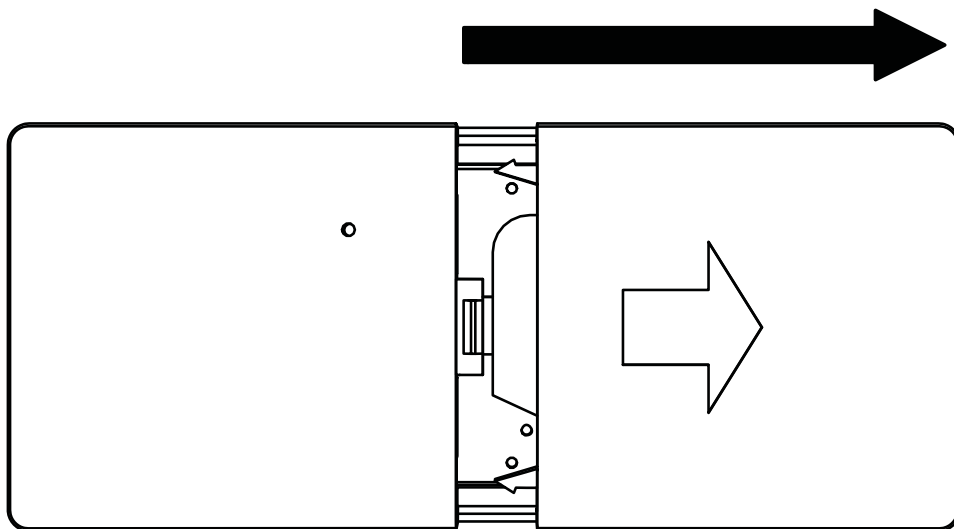
Asegure la taza de montaje de superficie a la ubicación deseada usando los tornillos incluidos.



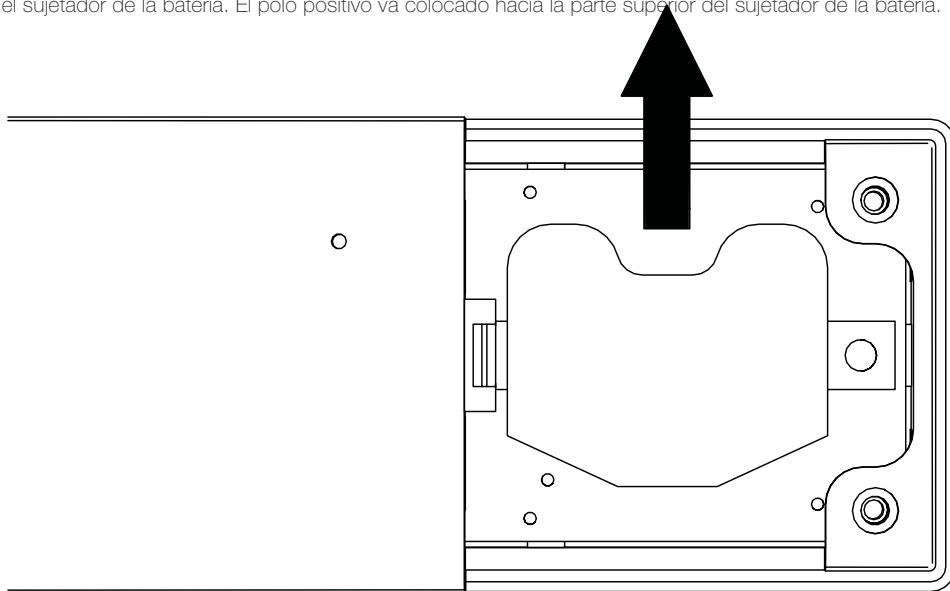
REEMPLAZO DE BATERÍA

modelo: CR2450 (3 V)

En la parte posterior del KXARC, deslice hacia afuera la cubierta de la batería como se muestra en la imagen. Esto expondrá al sujetador de la batería.



Deslice la batería hacia afuera del sujetador desde la parte superior. Reemplace la batería y la cubierta de la misma manera en que se retiraron. Asegúrese que la batería no esté de cabeza cuando la coloque en el sujetador de la batería. El polo positivo va colocado hacia la parte superior del sujetador de la batería.

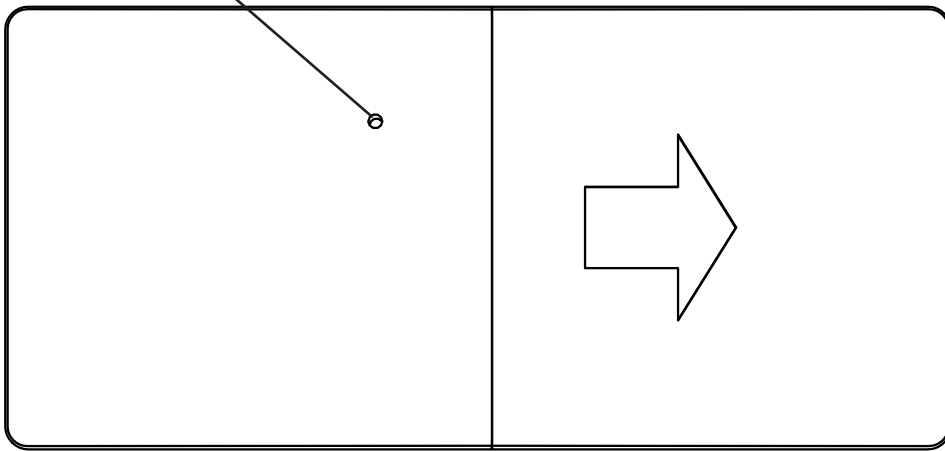


OPERACIÓN REMOTA DEL KXARC

SINCRONIZACIÓN CON BLUETOOTH®

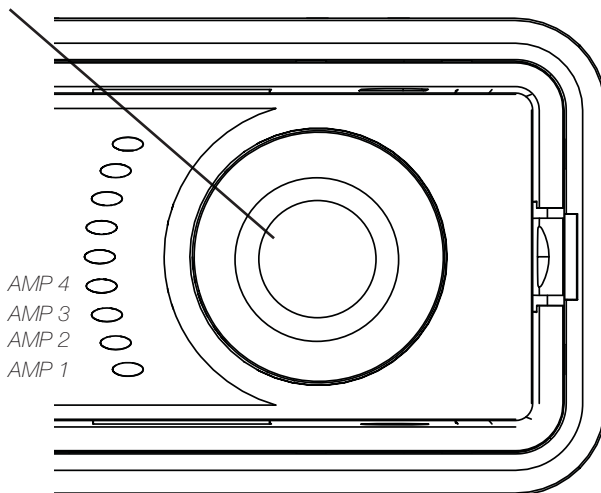
Para colocar el KXARC en modo de sincronización, inserte una clavija, clip u otro objeto delgado y puntiagudo que tenga disponible en el orificio pequeño y discreto que se encuentra detrás del control remoto y presione durante 1 segundo. Si el amplificador KXA también se encuentra en modo de sincronización, los dispositivos se conectarán. El KXARC permanecerá en modo de sincronización para conectarse al siguiente amplificador.

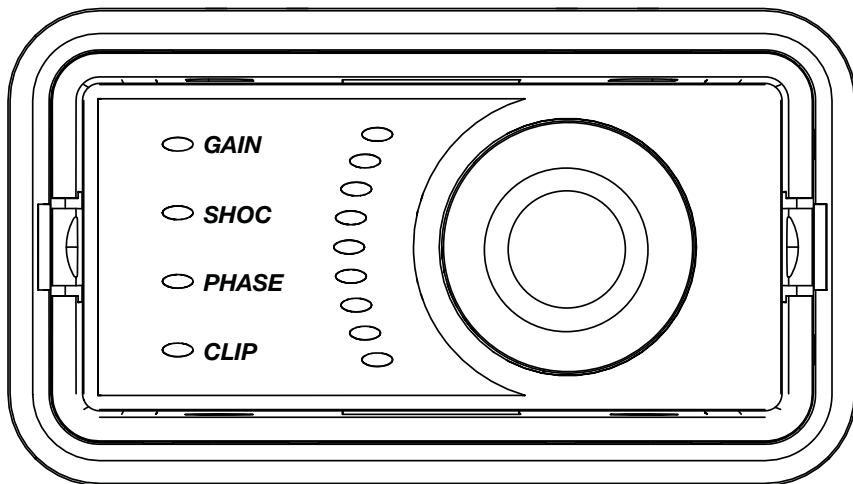
Botón de sincronización



El modo de sincronización caducará después de unos tres minutos. Puede sincronizar hasta 4 amplificadores KX que cuenten con un canal de subwoofer (modelos mono o de 5 canales). El KXARC realiza un seguimiento de cada amplificador e indica el amplificador actual seleccionado con las 4 luces LED de estado en la parte inferior.

Mantenga presionado el botón para ajustar el brillo LED.





Presione la perilla del KXARC para desplazarse por las configuraciones GAIN, SHOC, PHASE y CLIP; luego gire la perilla para ajustar los valores correspondientes. El KXARC admite hasta 4 amplificadores KICKER KXA que tengan un canal de subwoofer.

Ganancia: El control de ganancia del KXARC es un atenuador de ganancia desde -26 dB hasta 0 dB. Esto le permitirá ajustar de manera conveniente la ganancia del canal de subwoofer sobre la marcha, y la configuración máxima de ganancia será la que haya seleccionado en el panel lateral del amplificador KX.

SHOCwave: La función SHOCwave (Creación de octava subarmónica) restaurará las bajas frecuencias que sean más débiles en grabaciones antiguas o que se hayan perdido en la compresión de datos. El canal de SUBWOOFER debe operar con una señal de completo alcance para que este efecto funcione correctamente. Presione la perilla hasta que SHOC se ilumine, luego ajuste la perilla a un nivel satisfactorio.

Fase: La configuración PHASE (Fase) le permite seleccionar la fase de la frecuencia del subwoofer: 0° o 180°. Si no se escuchan los graves en el audio, es posible que la frecuencia de graves esté fuera de fase con el resto del sistema. La demora, revertir la polaridad positiva/negativa o cambiar la ubicación del subwoofer también puede resolver estos tipos de problemas. Los LED superiores indicarán 0°, mientras que los inferiores indicarán 180°.

Recorte: Cuando se seleccione CLIP (Recorte), el indicador iluminará la luz LED que corresponda a un amplificador con señal de salida recortada. Tan sólo presione la perilla del KXARC hasta que se seleccione CLIP, luego observe las 4 luces LED en la parte inferior para saber qué amplificador tiene recortes y en qué momento los tiene. Si no se selecciona CLIP, el LED de CLIP actuará como indicador global de recorte. Si cambia la configuración de Ganancia o SHOCwave, es probable que note que el LED de CLIP se volverá activo. Esto significa que su nueva configuración de DSP ha generado una salida a recorte, y debería reducir la ganancia o compensarla de alguna otra manera.

RESOLUCIÓN DE PROBLEMAS

Si su amplificador parece no estar funcionando, revise lo obvio primero: fusibles quemados, conexiones malas o incorrectas, posición incorrecta de los selectores de crossover y amplificación, etc. Su amplificador modelo KX de KICKER cuenta con los LED de protección (PRT) y de encendido (PWR) en el panel de alimentación lateral. Dependiendo del estado del amplificador y del sistema de carga del vehículo, los LED se iluminarán en verde o en rojo. Cuando el LED se ilumina en verde, indica que el amplificador está encendido y no hay ningún problema.



¿El indicador luminoso LED verde está apagado y no hay salida? Con un voltímetro/ohmímetro (VOM), verifique lo siguiente: ❶ Hay +12V en la terminal de alimentación (debe leerse entre +12V y +16V). ❷ Hay +12V en la terminal de encendido a distancia (debe leerse entre +12V y +16V). ❸ No hay conexiones invertidas de alimentación o conexión a tierra. ❹ La terminal de conexión a tierra tiene la conductividad adecuada. ❺ No hay fusibles quemados.

¿El Indicador luminoso LED verde está encendido y no hay salida? Verifique lo siguiente: ❶ Las conexiones RCA están bien. ❷ Las salidas de altavoces están bien pues han sido puestas a prueba con un altavoz en buenas condiciones. ❸ Se ha cambiado la unidad fuente por una unidad fuente en buenas condiciones. ❹ Con un medidor VOM configurado para medir voltaje de "CA", se ha buscado una señal en el cable RCA que alimenta el amplificador.

¿El indicador luminoso LED de "protection" destella con la música fuerte? El indicador luminoso LED rojo indica que hay bajo voltaje de batería. Revise todas las conexiones del sistema de carga eléctrica del vehículo. Puede ser necesario cambiar o cargar la batería del vehículo o cambiar el alternador del vehículo.

¿El indicador luminoso LED de "protection" está encendido y no hay salida? ❶ El amplificador está muy caliente = Se ha activado el circuito de protección térmica. Con un medidor VOM, compruebe que las terminales de altavoz tengan la impedancia correcta (vea en este manual los diagramas que contienen datos de impedancia mínima recomendada y sugerencias de cableado de varios altavoces). Asegúrese también de que haya un flujo de aire adecuado alrededor del amplificador. ❷ El amplificador se apaga sólo cuando el vehículo está en marcha = Se ha activado el circuito de protección contra sobrevoltaje. El voltaje al amplificador no está dentro del intervalo de funcionamiento de 10V a 16V. Haga inspeccionar el sistema eléctrico y de carga eléctrica del automóvil. ❸ El amplificador sólo funciona a bajo volumen = Se ha activado el circuito de protección contra cortocircuitos. Asegúrese de que los cables de los altavoces no estén en cortocircuito entre sí o con el chasis del vehículo. Vea si hay altavoces dañados o funcionando a menos de la impedancia mínima recomendada.

¿No hay salida de uno de los canales? ❶ Revise el control de balance de la unidad fuente. ❷ Revise las conexiones RCA (o de entrada de altavoz) y de salida de altavoz del canal.

Resolución de problemas del KXARC: Si las luces LED del KXARC parpadean tres veces, significa que no está conectado a un amplificador. Presione el botón de sincronización en la parte trasera del control remoto y en el amplificador KXA durante 1 segundo. NOTA: Si el KXARC no está activo o está en modo pausa, no se mostrará como conectado en el panel del KXA. Si el KXARC no se enciende, reemplace la batería.

¿Hay ruido sibilante de alternador asociado a las RPM del motor? ❶ Vea si hay algún cable RCA (o de entrada de altavoz) dañado. ❷ Revise el encaminamiento del cable RCA (o de entrada de altavoz). ❸ Vea si la unidad fuente tiene conexión a tierra apropiada. ❹ Revise las configuraciones de amplificación y bájeles si están muy altas.

¿Hay baja respuesta de bajos? Invierta la conexión de uno de los altavoces de positiva a negativa en los canales estereofónicos y/o de subwoofer; si los bajos mejoran, el altavoz estaba fuera de fase.

¿Hay ruido de conexión a tierra? Los amplificadores KICKER son totalmente compatibles con las unidades fuente de todos los fabricantes. Algunas unidades principales pueden necesitar más conexión a tierra para evitar que entre ruido a la señal de audio. En la mayoría de los casos, este problema con la unidad principal se resuelve instalando un cable de conexión a tierra desde las salidas RCA de la unidad principal al chasis.

PRECAUCIÓN: Cuando haga arrancar el vehículo con cables de arranque conectados a una batería externa, asegúrese de que las conexiones de los cables de arranque sean correctas. Conectar los cables de arranque de manera incorrecta puede quemar los fusibles del amplificador y causar fallas en otros sistemas del vehículo.

Si tiene más preguntas sobre la instalación de su nuevo producto KICKER, vaya al distribuidor autorizado de KICKER donde lo compró. Si necesita más consejos sobre la instalación, haga clic en la lengüeta SUPPORT (apoyo) de la página Web de KICKER, www.KICKER.com. Escoja la lengüeta TECHNICAL SUPPORT (apoyo técnico), escoja el tema que le interese y luego descargue o vea la información correspondiente. Envíe un mensaje por correo electrónico a support@KICKER.com o comuníquese con Servicios Técnicos llamando al (405) 624-8583 si tiene preguntas específicas o a las cuales no haya encontrado respuesta.



KXA800.5

50W x 4 @ 4 ohmios (10Hz–20,000Hz)
Relación de Señal a Ruido -75dB CEA-2006B (ref: 1W, ponderado en A)
200 x 1 @ 4 ohmios (10Hz–160Hz)
Relación de Señal a Ruido -75dB CEA-2006B (ref: 1W, ponderado en A)
14.4VCC, 1% THD, CEA-2006B (W)



MODÈLE:

KXA800.5

AVERTISSEMENT DE SÉCURITÉ IMPORTANT : UN FONCTIONNEMENT CONTINU ET PROLONGÉ D'UN AMPLIFICATEUR EN DISTORSION OU EN SATURATION PEUT PROVOQUER LA SURCHAUFFE DE VOTRE SYSTÈME AUDIO, UN POTENTIEL DÉPART D'INCENDIE ET SÉRIEUSEMENT ENDOMMAGER VOS COMPOSANTS ET/OU VOTRE VÉHICULE. LES PRODUITS KICKER PEUVENT PRODUIRE DES NIVEAUX SONORES SUSCEPTIBLES D'ENDOMMAGER L'OUÏE DE FAÇON IRRÉVERSIBLE ! L'AUGMENTATION DU VOLUME D'UN SYSTÈME JUSQU'À UN NIVEAU PRÉSENTANT UNE DISTORSION AUDIBLE ENDOMMAGE D'AVANTAGE L'OUÏE QUE L'ÉCOUTE D'UN SYSTÈME SANS DISTORSION AU MÊME VOLUME. LE SEUIL DE LA DOULEUR EST TOUJOURS LE SIGNE QUE LE NIVEAU SONORE EST TROP ÉLEVÉ ET RISQUE D'ENDOMMAGER L'OUÏE DE FAÇON IRRÉVERSIBLE. RÉGLEZ LE VOLUME EN FAISANT PREUVE DE BON SENS.



PERFORMANCES

Modèle:

KXA800.5

Puissance RMS, Watts

@ 14.4V, 4Ω stéréo, ≤ 1% THD+N

@ 14.4V, 2Ω stéréo, ≤ 1% THD+N

@ 14.4V, 4Ω mono, ≤ 1% THD+N

50W x 4

100W x 4

200W x 2

Puissance RMS, Watts

@ 14.4V, 2Ω mono, ≤ 1,5% THD+N

@ 14.4V, 4Ω mono, ≤ 1,5% THD+N

400 x 1

200 x 1

Longueur [po, cm]

12-3/4, 32,4

Hauteur [po, cm]

2-1/8, 5,5

Largeur [po, cm]

8-5/16, 21

Réponse en fréquence [Hz]

AMPLI 1-2 : 10 Hz–20 kHz

SUB : 10Hz–160Hz

Rapport signal-bruit [dB]

AMPLI 1-2 : >95dB, Niveau acoustique pondéré A, cf. :
puissance nominale

Sensibilité d'Entrée

250mV–10V

Crossover électronique sélectionnable

AMPLI 1 : OFF/HP/LP, variable de 10 à 5 000 Hz avec
commutateur multiplicateur par 10 ; 24 dB/octave

AMPLI 2 : OFF/HP/LP/BP, passe-haut variable de 10 à 500
Hz, passe-bas variable de 40 à 5 000 Hz avec commutateur
multiplicateur par 10 ; 24d B/octave

SUB : Filtre passe-bas variable de 40 à 160 Hz ; 24 dB/octave

Amplification paramétrique des graves KickEQ™

Amplification variable de 0 à 18 db ; fréquence centrale de 40 Hz

Filtre subsonique

Variable de 10 à 80 Hz ; 24 dB/octave

REMARQUE : les voies du caisson des graves de l'amplificateur 2017 KX sont stables à 1 Ω - puissance nominale équivalente à 2 Ω +/-10 %

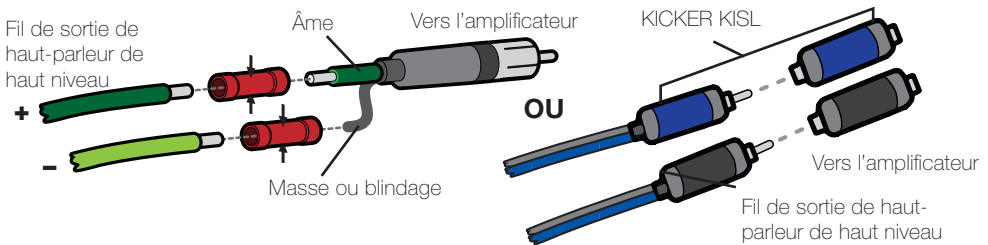
INSTALLATION

Montage: Choisissez un emplacement de structure saine pour monter votre amplificateur KICKER.

Assurez-vous que l'arrière de l'emplacement où vous allez enfoncer les vis ne comporte aucun élément. Choisissez un endroit assurant au moins 10 cm (4 po) de dégagement de ventilation ouverte pour l'amplificateur. Si possible, montez l'amplificateur dans l'habitacle passager climatisé. Percez quatre trous à l'aide d'un foret de 3 mm (7/64 po) et utilisez les vis n° 8 fournies pour monter l'amplificateur.

Câblage: Débranchez la batterie du véhicule pour éviter un court-circuit. Ensuite, raccordez le fil de masse à l'amplificateur. Le fil de masse doit être le plus court possible, de 60 cm (24 po) maximum. Raccordez-le à une partie métallique solide du châssis du véhicule, ne comportant ni peinture ni rouille. Il est recommandé d'ajouter un fil de masse supplémentaire de même calibre (ou de calibre supérieur) entre la borne négative de la batterie et le châssis du véhicule.

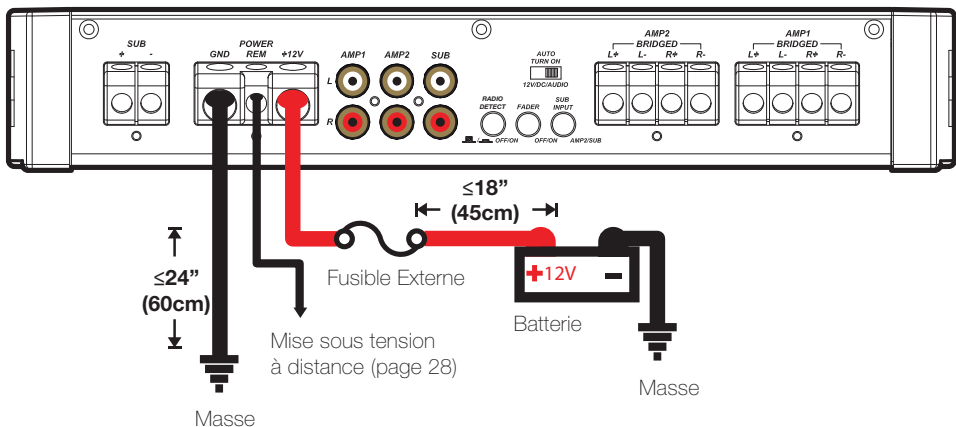
Les entrées RCA de l'amplificateur KX recevront des signaux haut ou bas niveau en provenance d'autoradio de votre voiture. Il est possible de connecter les sorties des haut-parleurs de l'autoradio à l'entrée stéréo RCA sur le panneau latéral de l'amplificateur à l'aide du câble KICKER KISL, comme illustré. Une autre option consiste à connecter le signal à l'amplificateur en utilisant les sorties RCA de bas niveau sur l'autoradio. Gardez le câble du signal audio à distance du faisceau de câblage en usine et des autres câbles d'alimentation. Si vous avez besoin de couper ce câblage, faites-le à un angle de 90 degrés.



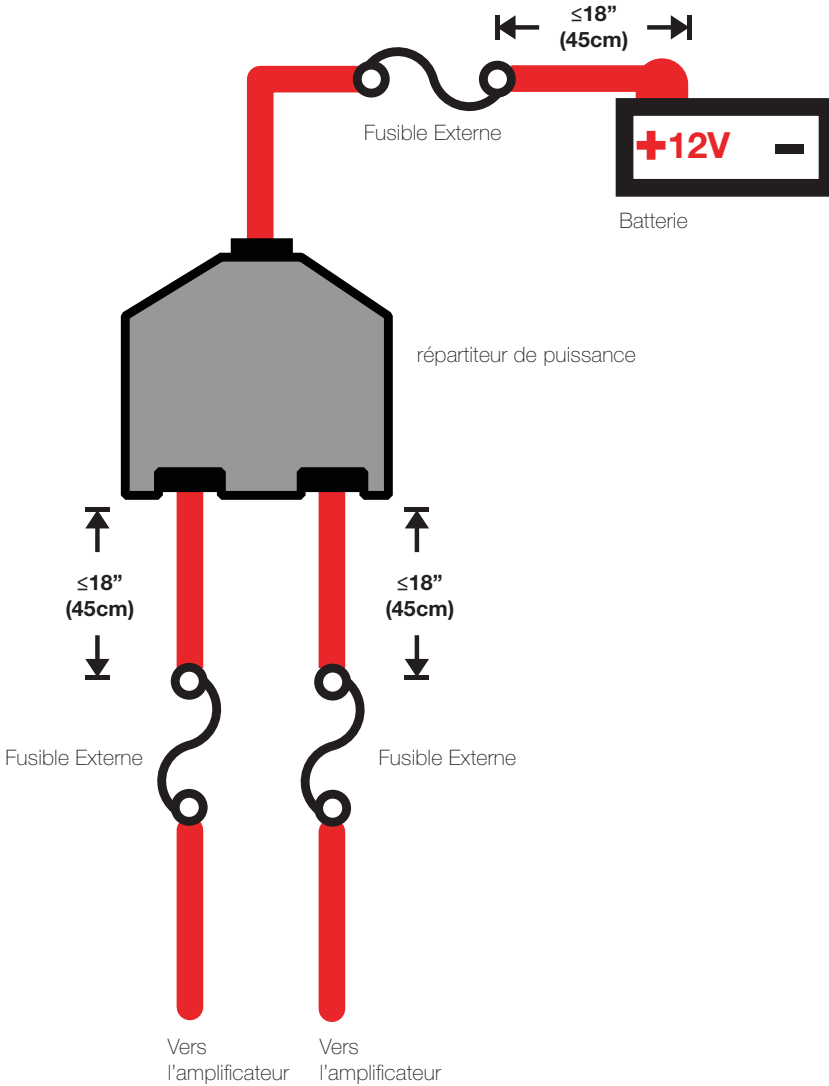
Installez un fusible dans un rayon de 45 cm (18 po) de la batterie directement sur le câble d'alimentation raccordé à votre amplificateur. Si vous devez retirer l'amplificateur après l'avoir installé dans le véhicule, débranchez toujours le fil de masse en dernier, en procédant à l'opposé de l'installation.

Modèle	Fusible Externe (non inclus)	Fil de Masse / Alimentation	KICKER Kit de câblage
KXA800.5	1 x 100 Ampères	Calibre 4	PK4, CK4

CÂBLAGE DE L'ALIMENTATION

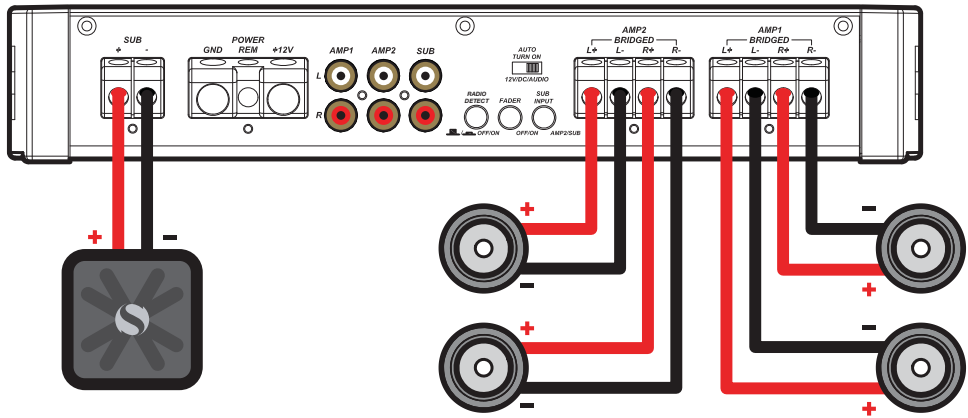


Pour les installations comportant plusieurs amplificateurs, dans lesquels des blocs de distribution sont utilisés, chaque amplificateur doit posséder son propre fusible ou disjoncteur de calibre approprié, installé entre l'amplificateur et le bloc de distribution, à moins de 46 cm du bloc de répartition, ou sur le bloc de répartition si celui-ci dispose d'un fusible. Le fil d'alimentation électrique principal doit être muni d'un fusible entre la batterie et le bloc de distribution, à moins de 46 cm du bloc de répartition de la borne positive de la batterie, avec un fusible ou un disjoncteur de calibre égal à au moins la somme des valeurs des fusibles de l'amplificateur, mais sans dépasser la capacité du câblage.



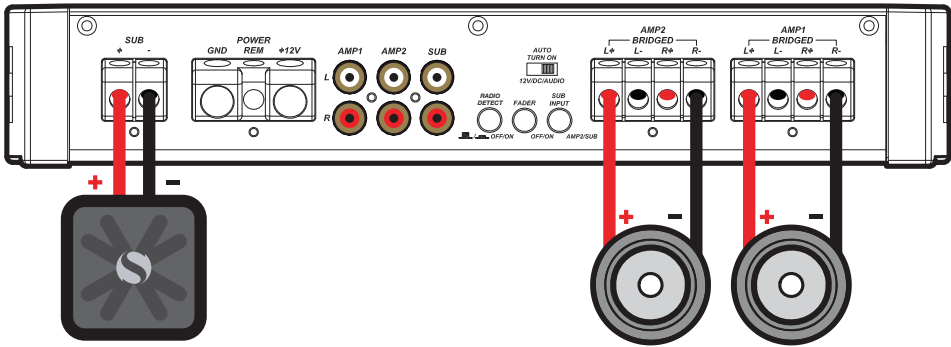
FONCTIONNEMENT À QUATRE CANAUX AVEC CAISSON DE GRAVES

impédance minimum de 2 ohms par canal (AMP1, AMP2) et le 1 ohms par SUB canaux

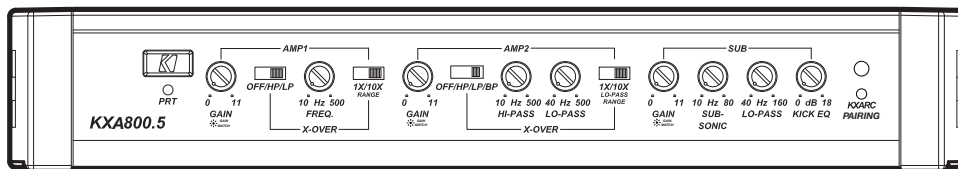


FONCTIONNEMENT PONTÉ

impédance minimum de 4 ohms



UTILISATION



Sélection de Mise sous Tension Automatique : La série KX propose deux modes d'allumage automatique différents ; +12 V et décalage en continu.

- Mise sous Tension à Distance : Faites passer un fil de calibre 18 à partir du fil de mise sous tension à distance sur votre appareil source jusqu'à la borne étiquetée REM entre la borne négative et la borne positive d'alimentation de l'amplificateur. Il s'agit de la méthode préférée de mise sous tension automatique.
- Mise sous Tension en Mode DC Offset : Le mode DC Offset détecte une surtension de 3 volts en provenance des sorties de haut-parleur de niveau haut (HI) quand l'appareil source a été mis en marche.
- Démarrage par détection de signal : La position audio est la dernière alternative de démarrage automatique. Il s'agit d'une méthode de démarrage par détection de signal qui perçoit le signal audio entrant depuis l'unité source et démarre automatiquement l'amplificateur. Cette méthode de démarrage ne fonctionnera pas correctement si le contrôle du gain d'entrée n'est pas configuré de manière appropriée.

Détection radio : les entrées RCA des amplificateurs KICKER KX peuvent recevoir des signaux de niveau haut ou bas en provenance de votre source sonore. Si vous utilisez des entrées de niveau haut, mais si votre appareil source ne peut pas détecter la présence d'un système audio ou refuse de jouer l'audio sur l'un au moins des haut-parleurs, il peut s'avérer nécessaire d'activer la détection de radio. Ceci activera une résistance de charge aux entrées de l'amplificateur et indiquera à l'appareil source que des haut-parleurs sont présents. N'utilisez PAS la détection de radio si vous utilisez un signal d'entrée de niveau bas, cela réduirait considérablement le signal d'entrée.

Commutateur atténuateur : Abaissez le bouton de l'atténuateur si vous reliez deux sources d'entrée (avant et arrière par exemple) vers l'amplificateur. Laissez le bouton de l'atténuateur sur OFF si vous souhaitez diriger tous les canaux à partir d'une seule entrée stéréo.

Entrée sub : S'il n'existe aucune sortie sur votre unité source dédiée pour un caisson de graves, utilisez l'interrupteur SUB INPUT pour mettre votre entrée de caisson de graves sur SUB INPUT ou AMP INPUT 2.

Contrôle du niveau d'entrée avec adaptation de gain : le contrôle du niveau d'entrée n'est pas un réglage du volume. Il correspond à la sortie de l'autoradio vers le niveau d'entrée de l'amplificateur et dispose d'une adaptation de gain pour éviter la saturation de l'entrée. Pour un réglage rapide, tournez l'autoradio à environ 3/4 du volume (si l'appareil a 30 degrés, tournez-le sur 25). Ensuite, tournez lentement le gain de l'amplificateur (dans le sens des aiguilles d'une montre) jusqu'à ce que le voyant d'amplification s'allume ou jusqu'à ce que vous entendiez une distorsion, puis réduisez-le un petit peu. KICKER vous recommande d'utiliser les tonalités d'essai disponibles sur www.kicker.com/support/ afin d'obtenir des paramètres de performance optimaux. Si le rétroéclairage du bouton GAIN s'allume, c'est que l'entrée demeure saturée. Pour obtenir des instructions sur l'adaptation de gain, veuillez consulter la page suivante.

Commutateurs de répartiteur avec multiplicateur de fréquence : Utilisez les commutateurs XOVER sur le panneau d'extrémité de l'amplificateur pour paramétrer les répartiteurs internes des AMPLI 1 et 2 sur OFF, PASSE-HAUT (HP), PASSE-BAS (LP) ou PASSE-BANDE (BP) pour l'AMPLI 2 seulement. Quand le commutateur est sur OFF, tout signal à large bande passante sera amplifié. Placez le commutateur sur HP si vous souhaitez que le répartiteur interne de l'amplificateur fonctionne comme un filtre passe-haut. Placez le commutateur sur LP si vous souhaitez que le répartiteur interne de l'amplificateur fonctionne comme un filtre passe-bas. Placez le commutateur sur BP quand une plage de fréquence spécifique est requise. Ne modifiez jamais les commutateurs du répartiteur si le système audio est allumé !

Placez le commutateur de multiplication en fréquence sur 1X/10X selon le réglage qui est approprié à votre application. Un réglage à 10X mettra la plage du répartiteur de l'AMPLI 1 entre 100 et 5 000 Hz et le répartiteur passe-bas de l'AMPLI 2 entre 400 à 5 000 Hz.

Filtre subsonique réglable : le filtre subsonique variable fournira un point de coupure pour les basses fréquences (10 à 80 Hz) qui pourraient potentiellement endommager vos haut-parleurs en raison d'une excursion excessive, avec une perte de la puissance de l'amplificateur. Le réglage de ce contrôle doit être défini en fonction de la capacité à basse fréquence de vos haut-parleurs. Recommandé pour les boîtiers à événement.



Contrôle de l'amplification des graves KICK EQ : le contrôle réglable de l'amplification sur le côté de l'amplificateur est conçu pour vous offrir une sortie amplifiée, de 0 à 18 dB à la fréquence sélectionnée. Le réglage de ce contrôle est subjectif. Si vous augmentez le réglage, vous devez réajuster le contrôle du gain d'entrée pour éviter la saturation l'amplificateur.

Télécommande KXARC : avec la télécommande KXARC incluse, vous avez la possibilité de déverrouiller et de contrôler les fonctions de traitement numérique du signal de l'amplificateur à distance. Voir page 30 pour l'installation. Amplificateurs KX 2017 et plus récents.

Appariement KXARC : utilisez le bouton d'appariement situé au-dessus du voyant d'appariement pour mettre l'amplificateur KX en mode d'appariement. Le voyant clignote lorsque l'amplificateur est en mode d'appariement et prêt à se connecter à un KXARC à distance. Une fois la connexion établie, il demeure allumé de façon continue. Appuyez sur le bouton d'appariement et maintenez-le enfoncé pour effacer la liste des appareils connectés.

CORRESPONDANCE DE GAIN

L'objectif de tout système audio est d'atteindre les niveaux d'entrée et de sortie maximaux sans distorsion ni écrêtement. Les ingénieurs de KICKER ont éliminé les hasards et les soucis de faire correspondre la tension de sortie de votre unité source avec l'amplificateur grâce à la fonction de correspondance de gain. Pour commencer, vous devez télécharger les tonalités d'essai de KICKER sur www.kicker.com/test-tones. Les fichiers suivants sont disponibles aux formats MP3 et WAV :

1 kHz @ 0 dBFS, 50 Hz @ 0 dBFS, 1 kHz @ -10 dBFS, 50 Hz @ -10 dBFS, 1 kHz @ -5 dBFS, 50 Hz @ -5 dBFS

Ces tonalités d'essai sont des ondes sinusoïdales destinées à fournir un signal de référence cohérent à l'amplificateur KX. Les différents niveaux d'enregistrement sont conçus pour vous fournir la correspondance de gain idéale pour votre application.

0 dBFS : conçu pour fournir aux applications audiophiles une sortie audio sans distorsion sur la gamme la plus dynamique.

-5 dBFS : conçu pour les applications normales, quotidiennes - la gamme sera moins dynamique mais les niveaux de sortie audio seront potentiellement plus élevés. Avec cette configuration, vous pouvez obtenir un écrêtement occasionnel de l'amplificateur.

-10 dBFS : conçu pour les applications de caissons de graves - la gamme sera moins dynamique mais les niveaux de sortie audio seront potentiellement plus élevés. Avec cette configuration, vous pouvez obtenir un écrêtement occasionnel de l'amplificateur.

Ensuite, suivez la procédure ci-dessous pour obtenir une correspondance de gain précise sur votre (vos) amplificateur(s) :

1. Déconnectez les enceintes de l'amplificateur KX.
2. Réglez tous les paramètres d'égalisation et de filtrage de votre unité source sur zéro.
3. Lisez le fichier téléchargeable de KICKER.com
4. Réglez le volume de l'unité source aux 3/4.
5. Augmentez le gain de l'amplificateur jusqu'à ce que le voyant DEL de gain s'allume.
6. Diminuez le gain de l'amplificateur jusqu'à ce que le voyant DEL de gain s'éteigne.

Tous les circuits d'adaptation de niveau des amplificateurs KX se trouvent au début de la chaîne de signaux. Si vous souhaitez utiliser des fonctions telles que l'amplification des basses, les réglages SHOCKwave ou l'égaliseur, il peut être nécessaire de régler le gain à un niveau inférieur afin de compenser l'augmentation de la sortie à ces fréquences.

Lorsque les gains de l'amplificateur et de l'unité source seront en correspondance, vous devrez vous assurer de ne pas saturer vos enceintes. Suivez la procédure ci-dessous :

1. Réglez le volume de l'unité source sur 0.
2. Reconnectez les enceintes de l'amplificateur KX.
3. Augmentez progressivement le volume de l'unité source jusqu'à ce que vous entendiez une distorsion audible.
4. Si vous entendez un écrêtement, diminuez le gain de l'amplificateur jusqu'à ce qu'il disparaisse.

Vous pouvez également utiliser l'indicateur CLIP de la télécommande KXARC pour déterminer facilement quelle sortie de l'amplificateur est écrêtée et à quel moment cela se produit.



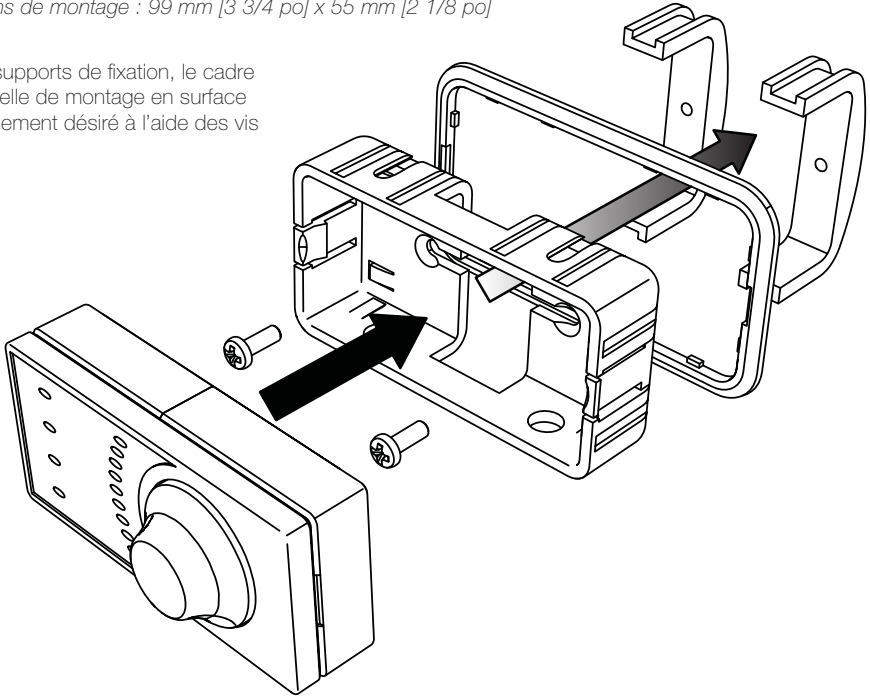
KXARC INSTALLATION À DISTANCE

MONTAGE ENCASTRÉ

Profondeur de montage : 19,5 mm (4 po)

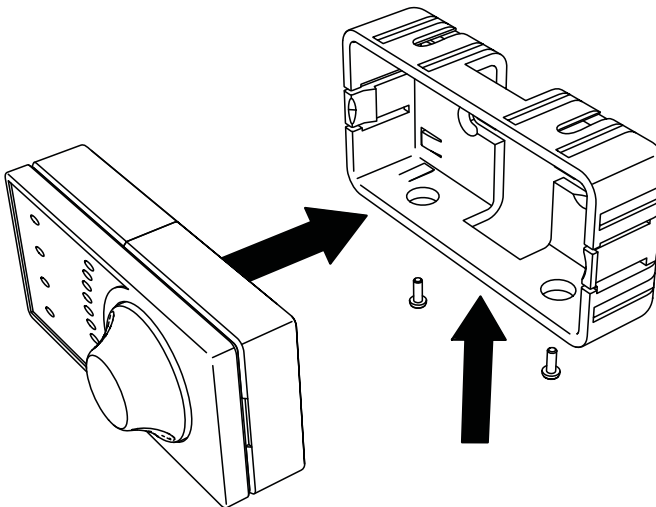
Dimensions de montage : 99 mm [3 3/4 po] x 55 mm [2 1/8 po]

Fixez les supports de fixation, le cadre et la coupelle de montage en surface à l'emplacement désiré à l'aide des vis fournies.



MONTAGE EN SURFACE

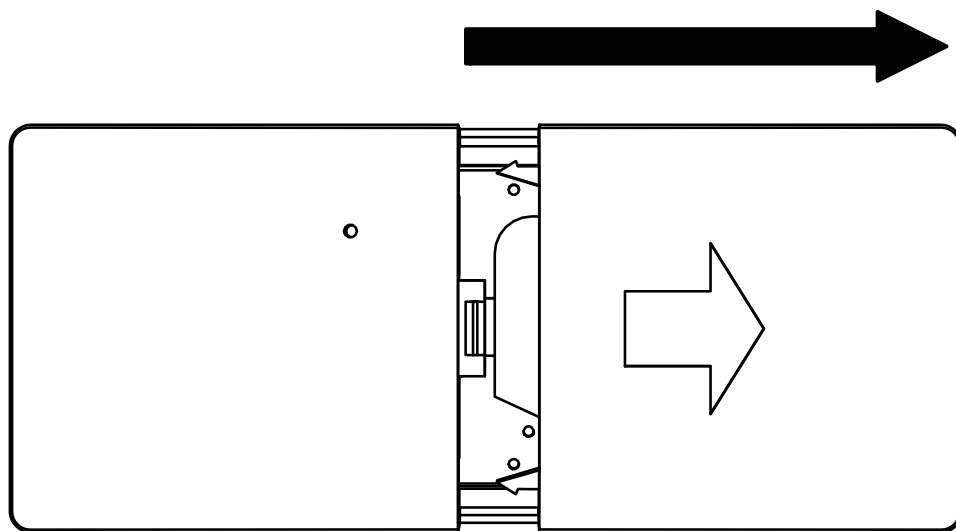
Fixez la coupelle de montage en surface à l'emplacement désiré en bas ou à l'arrière de la coupelle à l'aide des vis fournies.



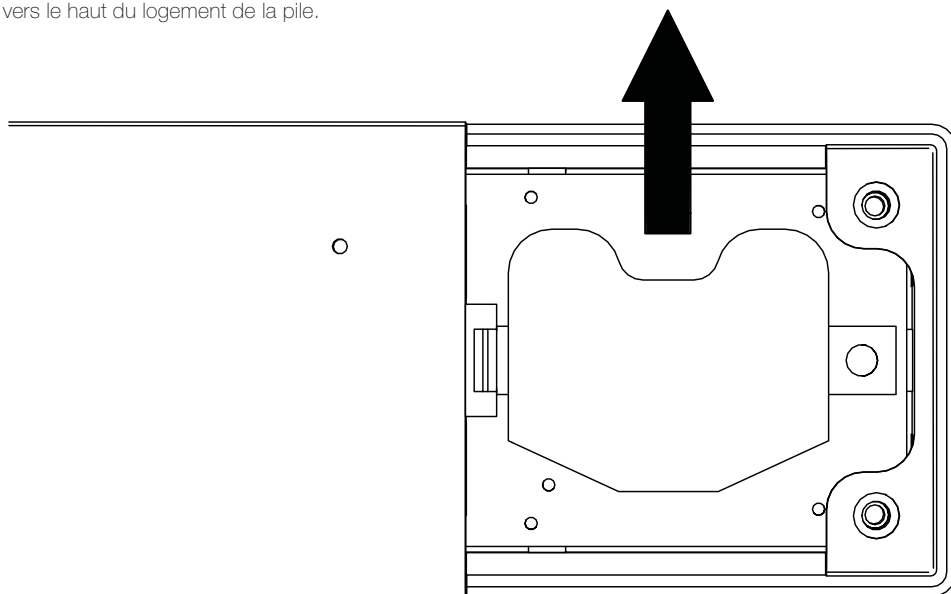
REEMPLACEMENT DE LA PILE

Modèle : CR2450 (3 V)

Sur l'arrière de la télécommande KXARC, faites glisser et retirez le couvercle de la pile, comme illustré. Cela permet d'accéder au logement de la pile.



Retirez la pile de son logement en tirant sur sa partie supérieure. Remettez la pile et le couvercle du logement de la pile en inversant la procédure que vous avez utilisée pour les retirer. Assurez-vous que la pile n'est pas à l'envers lorsqu'elle est installée dans le logement de la pile. La borne positive est orientée vers le haut du logement de la pile.

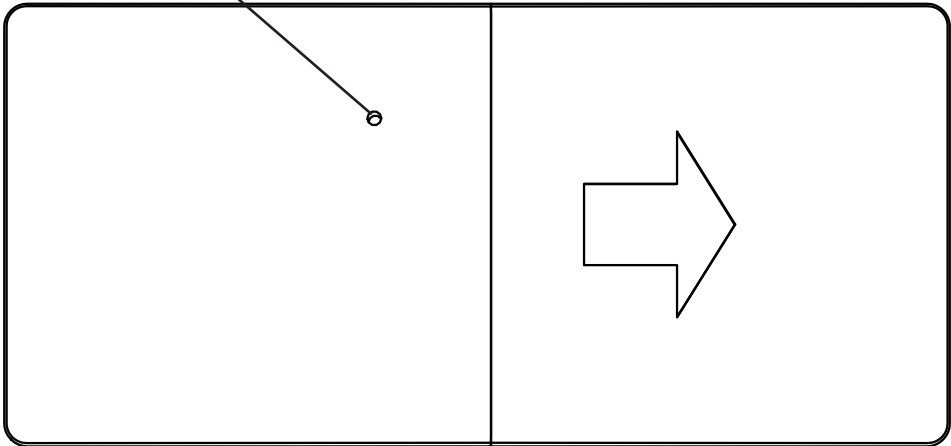


TÉLÉCOMMANDE KXARC

APPARIEMENT BLUETOOTH®

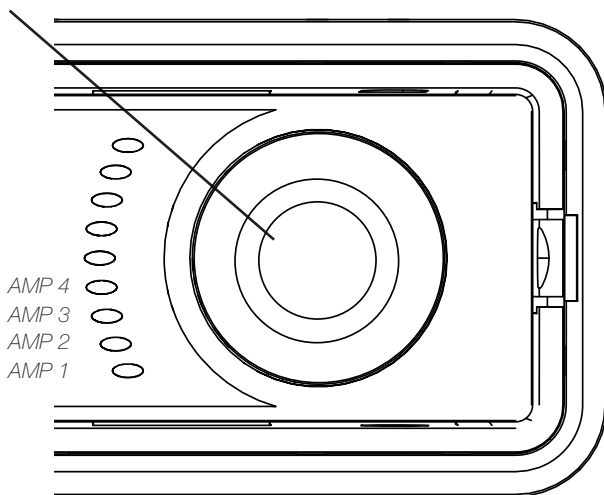
Pour placer la télécommande KXARC en mode d'appairage, insérez une épingle, un trombone ou tout autre objet fin et pointu dans le petit trou discret à l'arrière de la télécommande et appuyez pendant 1 seconde. Si l'amplificateur KXA est également en mode appairage, les appareils se connectent. Votre KXARC restera en mode appairage pour se connecter au prochain ampli.

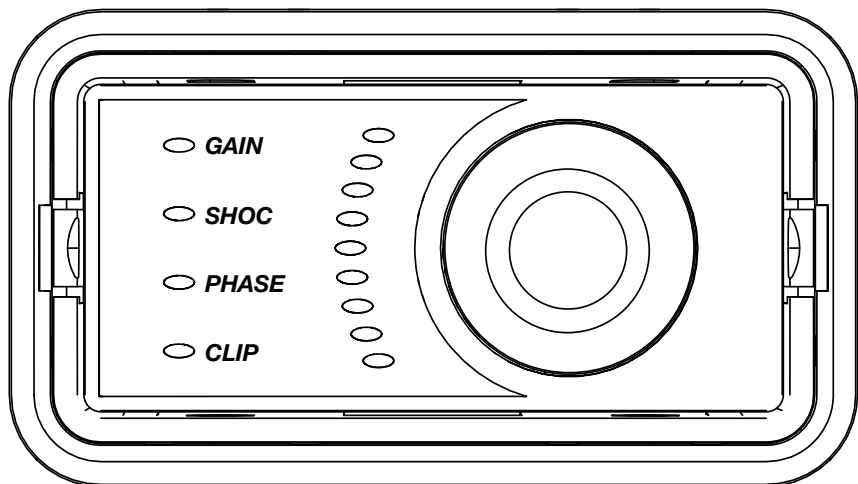
Bouton d'appariement



Le mode appairage s'arrête au bout de 30 secondes ou vous pouvez de nouveau appuyer sur le bouton d'appairage. Vous pouvez appairer jusqu'à 4 amplificateurs KXA dotés d'une voie de caisson de graves (modèle à une ou cinq voies). La télécommande KXARC surveille séparément chaque ampli et indique l'ampli sélectionné à l'aide des 4 LED d'état du bas.

Appuyez et maintenez enfoncé pour ajuster la luminosité des voyants.





Appuyez sur le bouton KXARC pour sélectionner le réglage des paramètres GAIN, SHOC, PHASE ou CLIP, puis tournez le bouton pour les régler aux valeurs souhaitées. La télécommande KXARC prend en charge jusqu'à 4 amplificateurs KICKER KXA dotés d'une voie pour caisson de graves.

Gain : la commande de gain de la KXARC est un atténuateur de gain de -26 dB à 0 dB. Cela vous permet de régler facilement le gain du canal du caisson de graves quand vous le souhaitez, le gain maximum étant celui correspondant au paramètre que vous avez sélectionné sur le panneau latéral de l'amplificateur KX.

SHOCwave : la fonction SHOCwave (création d'octaves sous-harmoniques) permet de restaurer les fréquences basses qui sont plus faibles dans les enregistrements anciens ou ont été perdues lors de la compression des données. Le canal SUBWOOFER (caisson de graves) doit être utilisé avec un signal pleine gamme pour fonctionner correctement. Appuyez sur le bouton jusqu'à ce que le voyant SHOC s'allume, puis ajustez le réglage à un niveau satisfaisant.

Phase : le réglage PHASE vous permet de sélectionner la phase de la fréquence du caisson de graves : 0° ou 180°. Si vous constatez une absence de basses dans votre audio, il est possible que les fréquences basses ne soient pas en phase avec le reste du système. Introduire un déphasage, inverser la polarité positive/négative ou changer l'emplacement du caisson peut également permettre de résoudre ce type de problèmes. Les voyants du haut indiquent 0°, tandis que ceux du bas indiquent 180°.

Clip : le voyant CLIP allume la LED correspondant à un amplificateur dont le signal de sortie est saturé si CLIP est sélectionné. Appuyez simplement sur le bouton KXARC jusqu'à ce que CLIP soit sélectionné, puis regardez les 4 LED en bas pour voir quel amplificateur est saturé et à quel moment. Si CLIP n'est pas sélectionné, la LED CLIP agira comme un voyant général de saturation. Si vous modifiez votre réglage de Gain ou SHOCwave, vous pouvez remarquer que la LED CLIP s'allume. Cela signifie que vos nouveaux paramètres DSP ont provoqué une saturation de la sortie et que vous devez réduire le gain ou compenser par un autre moyen.

EN CAS DE DIFFICULTÉ

Si votre amplificateur ne marche pas, vérifiez d'abord les possibilités évidentes comme les fusibles sautés, les branchements incorrects ou desserrés, le mauvais réglage des commandes de gain et du commutateur du filtre etc. Se présentent également des DEL d'alimentation (PWR) et de protection (PRT) sur le panneau d'alimentation latéral de votre amplificateur KICKER de série KX. Selon l'état de l'amplificateur et le système de charge du véhicule, les DEL clignotent en vert ou rouge. Lorsque la DEL vert est allumée, cela indique que l'amplificateur est en marche et qu'il n'y a pas de problème.



DEL vert éteinte, aucune sortie ? En utilisant un volt/ohmmètre (VOM), vérifiez les points suivants :

❶ Borne d'alimentation +12 volts (entre +12 V et +16 V) ❷ Borne de mise sous tension à distance (entre +12 V et +16 V) ❸ Vérifiez que les branchements d'alimentation et de masse ne sont pas inversés. ❹ La conductivité de la borne de masse. ❺ L'état des fusibles (aucun fusible sauté).

DEL vert éclairée, aucune sortie ? Vérifiez les points suivants : ❶ Branchements RCA ❷ Testez les sorties de haut-parleur en utilisant un haut-parleur dont vous vous êtes assuré du bon fonctionnement. ❸ Remplacez l'appareil source par un appareil dont vous vous êtes assuré du bon fonctionnement. ❹ Vérifiez le passage du signal dans le câble RCA alimentant l'amplificateur en utilisant le volt/ohmmètre réglé pour mesurer la tension « c.a. ».

DEL du « protection » clignotante lorsque le volume de la musique est élevé ? La DEL rouge indique une tension faible de la batterie. Vérifiez tous les branchements du système de charge de votre véhicule. Le remplacement ou la recharge de la batterie (ou encore le remplacement de l'alternateur) de votre véhicule peut s'avérer nécessaire.

DEL du « protection » allumée, aucune sortie ? ❶ L'amplificateur est très chaud = La protection thermique est engagée. Testez l'impédance aux bornes des haut-parleurs en utilisant un volt/ohmmètre (voir les schémas de ce manuel pour des recommandations sur l'impédance minimum et diverses suggestions de câblage pour les haut-parleurs). Vérifiez également qu'il existe une circulation d'air adéquate autour de l'amplificateur. ❷ L'amplificateur ne s'arrête que lorsque le véhicule est en marche = La protection de tension est engagée. La tension à l'amplificateur ne se situe pas dans la plage de fonctionnement comprise entre 10 et 16 volts. Faites vérifier le système de recharge et le système électrique du véhicule. ❸ L'amplificateur ne marche qu'à un niveau sonore faible = La protection anti-court-circuit est engagée. Vérifiez que les fils des haut-parleurs ne sont pas en court-circuit entre eux ou avec le châssis du véhicule. Vérifiez l'état des haut-parleurs ou l'impédance qui ne doit pas tomber en dessous du seuil minimum recommandé.

Aucune sortie d'un canal ? ❶ Vérifiez le contrôle de la balance sur l'appareil source ❷ Vérifiez les branchements RCA (ou d'entrée de haut-parleur) et les branchements de sortie de haut-parleur pour le canal.

Pialement prolongé de l'alternateur avec le régime du moteur ? ❶ Vérifiez l'état du câble RCA (ou d'entrée de haut-parleur) ❷ Vérifiez l'acheminement du câble RCA (ou d'entrée de haut-parleur) ❸ Vérifiez que l'appareil source est correctement mis à la masse ❹ Vérifiez les paramètres de gain et baissez-en la valeur s'ils sont trop élevés.

Réponse réduite des graves ? Inversez le branchement d'un haut-parleur de positif à négatif sur le ou les canaux de la stéréo/du caisson des graves. L'amélioration des graves indique que le haut-parleur était déphasé.

Bruit de fond ? Les amplificateurs KICKER ont été étudiés pour être entièrement compatibles avec les unités de tête de tous les fabricants. Certaines unités de tête peuvent exiger une mise à la masse supplémentaire pour éviter toute interférence avec le signal audio. Pour remédier à ce problème éventuel, il suffit dans la plupart des cas d'acheminer un fil de masse à partir des sorties RCA sur l'unité de tête jusqu'au châssis.

ATTENTION : Lorsque vous effectuez une recharge rapide de la batterie du véhicule, assurez-vous que les branchements effectués avec les câbles de recharge rapide sont corrects. Des branchements incorrects peuvent faire sauter les fusibles de l'amplificateur et provoquer des pannes dans d'autres systèmes cruciaux du véhicule.

Si vous avez d'autres questions relatives à l'installation ou au fonctionnement de votre nouveau produit KICKER, contactez le revendeur agréé KICKER qui vous l'a vendu. Pour obtenir d'autres conseils sur l'installation, cliquez sur l'onglet SUPPORT de la page d'accueil KICKER, www.KICKER.com. Sélectionnez l'onglet TECHNICAL SUPPORT, choisissez le sujet qui vous intéresse et téléchargez ou affichez les informations correspondantes. Si vous avez d'autres questions, envoyez un message électronique à support@KICKER.com ou téléphonez aux services techniques en composant le (+1) 405-624-8583.



KXA800.5

50W x 4 @ 4 ohms (10Hz–20,000Hz)

Rapport Signal sur Bruit -75dB CEA-2006B (ref: 1W, pondéré A)

200 x 1 @ 4 ohms (10Hz–160Hz)

Rapport Signal sur Bruit -75dB CEA-2006B (ref: 1W, pondéré A)

14.4V C.C., 1% de Distorsion Harmonique Totale, CEA-2006B (W)



MODELL:**KXA800.5**

WICHTIGE SICHERHEITSWARNUNG: DER ANHALTENDE, FORTLAUFENDE BETRIEB EINES VERSTÄRKERS IN ÜBERSTEUERTER ODER ABGEHACKTER WEISE KANN DAZU FÜHREN, DASS SICH DAS AUDIO-SYSTEM ÜBERHITZT UND IN BRAND GERÄT, WAS ZU EINER SCHWEREN BESCHÄDIGUNG DER KOMPONENTEN UND/ODER DES FAHRZEUGS FÜHREN KANN. KICKER-PRODUKTE KÖNNEN LAUTSTÄRKEPEGEL ERZEUGEN, DIE DAS GEHÖR PERMANENT SCHÄDIGEN KÖNNEN! WENN DIE LAUTSTÄRKE EINES SYSTEMS BIS ZU EINER HÖRBAREN VERZERRUNG ERHÖHT WIRD, KANN DAS GEHÖR SCHWERER ALS MIT EINEM NICHT VERZERRTEN SYSTEM MIT DEM GLEICHEN LAUTSTÄRKEPEGEL GESCHÄDIGT WERDEN. DIE SCHMERZSCHWELLE IST IMMER EIN INDIKATOR, DASS DER LAUTSTÄRKEPEGEL ZU HOCH IST UND DAS GEHÖR PERMANENT SCHÄDIGEN KANN. LASSEN SIE GESUNDEN MENSCHENVERSTAND WALTEN, WENN SIE DIE LAUTSTÄRKE EINSTELLEN.

**LEISTUNG****Modell:****KXA800.5**RMS-Leistung, **AMP1** und **AMP2**

@ 14.4V, 4Ω stereo, ≤ 1% Gesamtklirrfaktor	50W x 4
@ 14.4V, 2Ω stereo, ≤ 1% Gesamtklirrfaktor	100W x 4
@ 14.4V, 4Ω mono, ≤ 1% Gesamtklirrfaktor	200W x 2

RMS-Leistung, **SUB** kanal

@ 14.4V, 2Ω mono, ≤ 1,5% Gesamtklirrfaktor	400 x 1
@ 14.4V, 4Ω mono, ≤ 1,5% Gesamtklirrfaktor	200 x 1

Länge [Zoll, cm] 12-3/4, 32,4

Höhe [Zoll, cm] 2-1/8, 5,5

Breite [Zoll, cm] 8-5/16, 21

Frequenzbereich [Hz]

AMPS 1 - 2: 10Hz–20kHz**SUB:** 10Hz–160Hz

Signal-Rausch-Verhältnis [dB]

>95 dB, A-bewertet; Nennleistung

Eingangsempfindlichkeit

250mV–10V

Wählbare elektronische Frequenzweiche

AMP 1: OFF/HP/TP, variabel 10 – 5.000 Hz mit 10-fach-Schalter; 24 dB/Oktave**AMP 2:** OFF/HP/TP/BP, variabel HP 10 – 500 Hz, variabler TP 40 – 5.000 Hz mit 10-fach-Schalter; 24 dB/Oktave**SUB:** Variabler TP 40 – 160 Hz; 24 dB/Oktave

KICKEQ Bass-Boost

Boost – Variabel 0–18 db; Mittenfrequenz – 40 Hz

Trittschallfilter

Variabel 10 – 80 Hz; 24 dB/Oktave

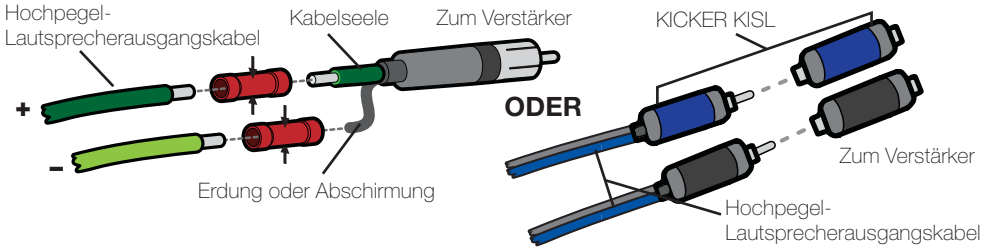
HINWEIS: 2017 KX-Verstärker-Subwoofer-Kanäle sind 1-Ω-stabil – Nennleistung entspricht einem 2-Ω-Betrieb, +/- 10 %

INSTALLATION

Befestigung: Wählen Sie für die Installation des KICKER-Verstärkers eine strukturell stabile Stelle. Vergewissern Sie sich, dass sich hinter der Einschraubposition der Schrauben nichts befindet. Wählen Sie eine Stelle, die mindestens 10 cm Lüftungsfreiraum für den Verstärker bietet. Installieren Sie, wenn möglich, den Verstärker im klimatisierten Fahrgastraum. Bohren Sie mit einem 3-mm-Bohrer vier Löcher und verwenden Sie die beiliegenden Nr. 8-Schrauben zur Befestigung des Verstärkers.

Anschluss: Trennen Sie den Anschluss der Fahrzeugbatterie, um einen Kurzschluss zu vermeiden. Schließen Sie dann das Massekabel an den Verstärker an. Verwenden Sie ein kurzes Erdungskabel (maximal 60 cm) und schließen Sie es an eine lack- oder korrosionsfreie Metallstelle an der Fahrzeugkarosserie an. Es wird auch empfohlen, ein weiteres Massekabel mit gleicher (oder größerer) Drahtstärke zwischen dem negativen Pol der Autobatterie und der Fahrzeugkarosserie zu verwenden.

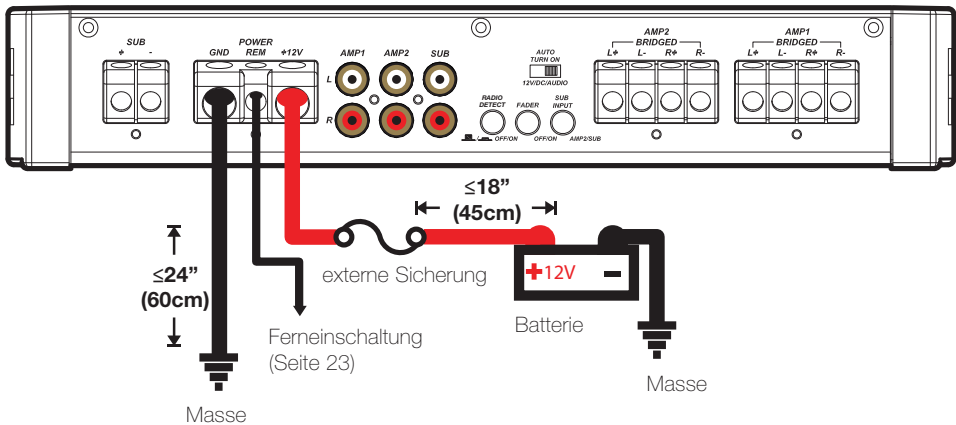
Die Cinch-Eingänge (RCA) der KX-Verstärker können Signale mit niedrigem oder hohem Spannungspegel vom Ausgangsgerät Ihres Autoradios verarbeiten. Indem Sie den KICKER KISL wie angezeigt verwenden, können Sie ein Signal mit hohem Spannungspegel von den Lautsprecherausgängen des Ausgangsgeräts zum Stereo-Cinch-Eingang an der Rückseite des Verstärkers leiten. Alternativ kann das Signal mittels der Cinch-Ausgänge mit niedrigem Spannungspegel am Ausgangsgerät zum Verstärker geleitet werden. Achten Sie darauf, dass das Kabel nicht mit Kabelsträngen oder anderen Stromkabeln in Kontakt kommt. Sollten Sie die Verbindungen an solchen Kabeln vorbeiführen müssen, so tun Sie dies bitte in einem 90°-Winkel.



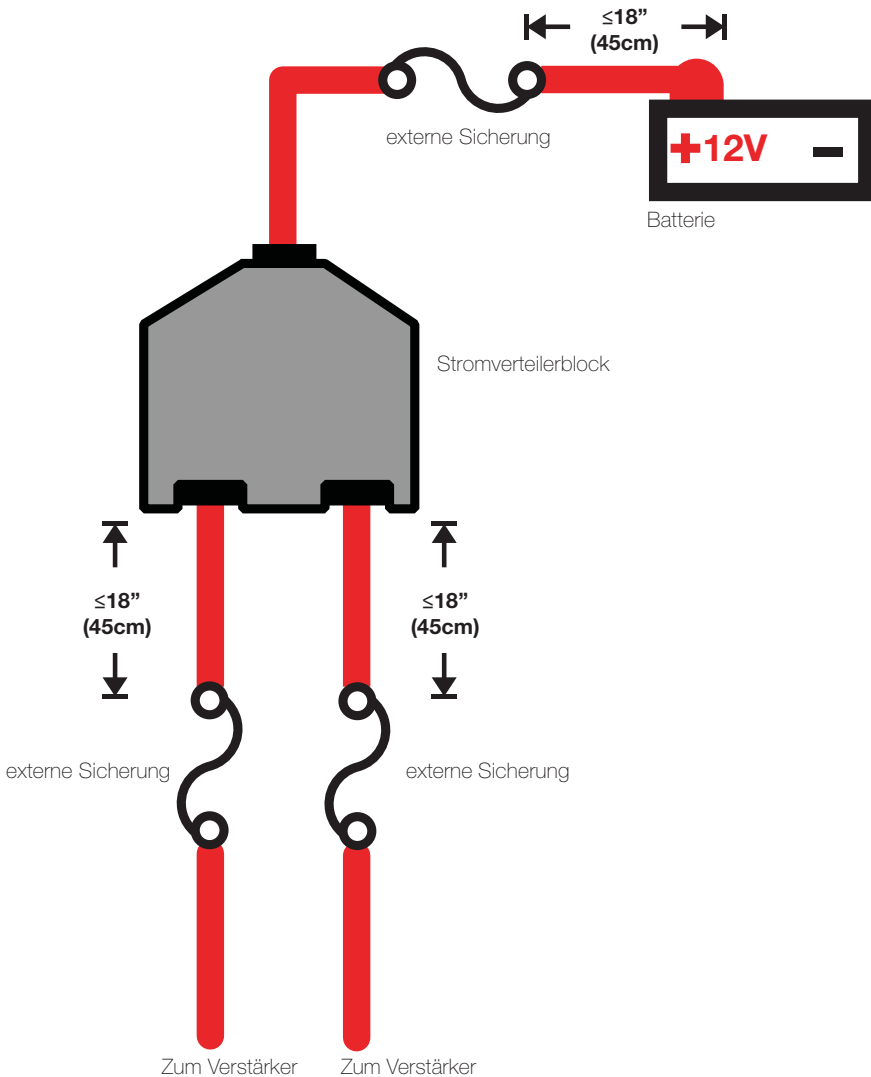
Installieren Sie in maximal 45 cm Entfernung von der Batterie eine Sicherung in Reihe mit dem Stromkabel zum Verstärker. Wenn Sie je den Verstärker nach der Installation aus dem Fahrzeug ausbauen müssen, sollte die Masseleitung als letzte vom Verstärker getrennt werden, genau in der umgekehrten Reihenfolge wie bei der Installation.

Modell	Externe Sicherung (nicht inbegriffen)	Massekabel	KICKER Verkabelungssatz
KXA800.5	1 x 100 Ampere	4 GA	PK4, CK4

STROMVERSORGUNG

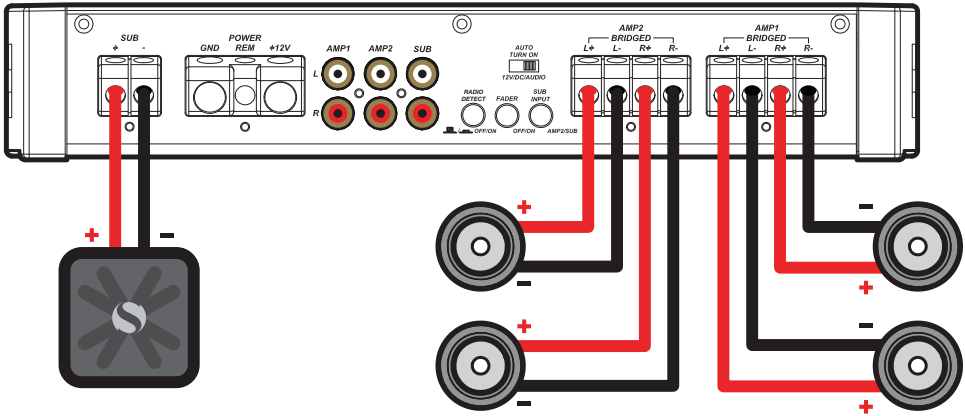


Falls beim Einbau mehrerer Verstärker Verteilerblöcke verwendet werden, sollte jeder Verstärker über eine eigene ordnungsgemäß zugelassene Sicherung (oder einen Schutzschalter) verfügen, die zwischen Verstärker und Verteilerblock eingebaut werden sollte (innerhalb von 45 cm vom Block) oder auf dem Verteilerblock, falls dieser die Sicherung übernimmt. Das Hauptstromkabel sollte außerdem zwischen Batterie und Verteilerblock mit einer Sicherung abgesichert werden, die innerhalb von 45 cm vom Pluspol der Batterie angebracht wird, und zwar mit einer Sicherung (oder einem Schutzschalter), die mindestens der Summe der Werte für die Sicherungen der einzelnen Verstärker entspricht, ohne jedoch die Kapazität der Verkabelung zu überschreiten.



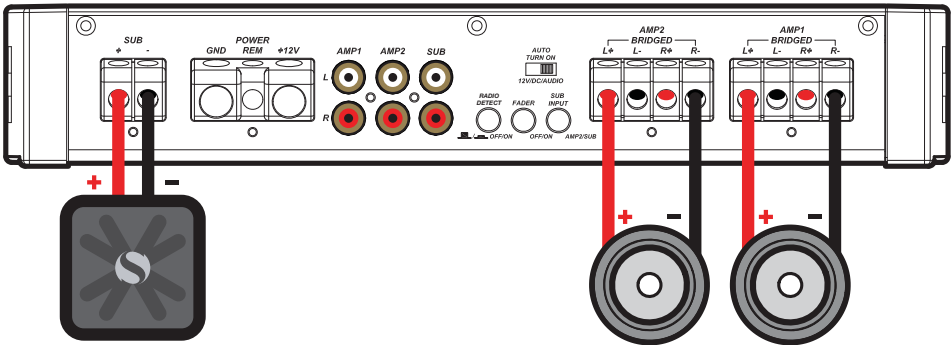
VIERKANALBETRIEB MIT SUBWOOFER

Minimal impedanz von 2 Ohm pro stereo Kanal (AMP1, AMP2) und 1 ohm pro SUB Kanäle

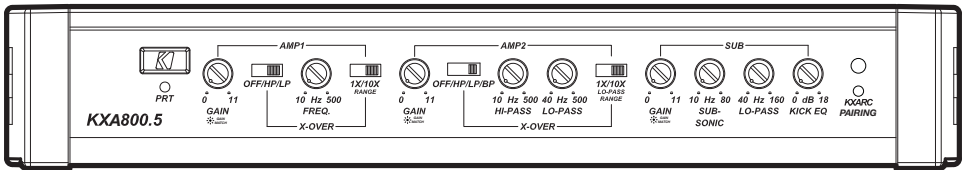


BRÜCKENBETRIEB (MONO)

Minimalimpedanz von 4 Ohm



BETRIEB



Automatische Einschaltung: Die KXA-Serie umfasst zwei automatische Einschaltmodi: +12V und DC Offset.

- Remote Turn-On (Ferneinschaltung): Verlegen Sie 18 GA-Kabel von der Ferneinschaltung an Ihrem Autoradio zum REM-Terminal zwischen den positiven und negativen Stromanschlüssen des Verstärkers. Das ist die bevorzugte automatische Einschaltungsmethode.
- DC Offset-Einschaltung: Der DC Offset-Modus entdeckt nach Einschalten des Autoradios einen 6-Volt-Anstieg an den Hochpegel-Lautsprecherausgängen.
- Signalerkennungs-Einschaltung: Die letzte Alternative für automatische Einschaltung ist die Audio-Einstellung. Das ist eine Signalerkennungsmethode, die das eingehende Audiosignal vom Quellgerät erkennt und den Verstärker automatisch einschaltet. Diese Einschaltmethode funktioniert nur dann ordnungsgemäß, wenn die Eingangslautstärkeregelung entsprechend eingestellt ist.

Funkerennung: Die Cinch-Eingänge der KICKER KX-Verstärker sind in der Lage, entweder Hoch- oder Niederpegelsignale von Ihrem Quellgerät zu empfangen. Sollten Sie Eingänge mit hohem Pegel verwenden, aber Ihr Quellgerät kein vorhandenes Audiosystem erkennt oder die Wiedergabe von Audio aus einem oder mehreren Lautsprechern verweigert, müssen Sie eventuell Radio Detect auf ON schalten. Dies wird den Ladungswiderstand an den Verstärkereingängen aktivieren und dem Quellgerät mitteilen, dass Lautsprecher vorhanden sind. Verwenden Sie Radio Detect NICHT, wenn Sie ein Eingangssignal mit niedrigem Pegel verwenden. Dadurch wird das Eingangssignal stark reduziert.

Fader-Schalter: Drücken Sie den Fader-Schalter, falls Sie zwei Eingangssätze am Verstärker betreiben wollen (zum Beispiel vorne und hinten). Lassen Sie den Fader-Schalter auf OFF, wenn Sie alle Kanäle von einem einzigen Stereosignal aus betreiben wollen.

Sub Input: Falls Ihr Quellgerät keinen ausgewiesenen Subwoofer-Ausgang hat, verwenden Sie den „SUB INPUT“-Schalter, um Ihren Subwoofer-Eingang entweder auf SUB INPUT oder AMP INPUT 2 zu setzen.

Input Gain Control (Eingangsspegel) mit Gain Matching (Pegelanpassung): Die Eingangspegelregelung ist kein Lautstärkereglern. Sie passt das Ausgangssignal des Ausgangsgeräts dem Eingangsspegel des Verstärkers an und verfügt über eine Pegelanpassung, um ein Clipping (Übersteuern) des Eingangssignals zu verhindern. Für einen schnellen Aufbau drehen Sie das Ausgangsgerät auf ca. 3/4 der Lautstärke (sollte es bis 30 gehen, drehen Sie es auf 25). Drehen Sie dann langsam (im Uhrzeigersinn) den Pegel am Verstärker auf, bis die Gain-LED aufleuchtet oder Sie eine hörbare Verzerrung wahrnehmen. KICKER empfiehlt, die Testtöne unter www.kicker.com/support/ zu nutzen, um die genauesten und leistungsstärksten Einstellungen zu erhalten. Drehen Sie ihn dann ein wenig zurück. Sollte die Hintergrundbeleuchtung des GAIN-Reglers aufleuchten, so ist das Eingangssignal noch übersteuert. Eine ausführliche Anleitung zur Pegelanpassung finden Sie auf der nächsten Seite.

Frequenzweichenschalter mit Frequenzvervielfacher: Mit dem XOVER-Schalter am Anschlusspanel des Verstärkers kann die interne Frequenzweiche der AMPS 1 und 2 auf OFF, HI-PASS (Hochpass), LO-PASS (Tiefpass) oder BAND-PASS (Bandpass)(nur AMP 2) gestellt werden. Steht der Schalter auf OFF, wird ein Signal in voller Bandbreite verstärkt. Stellen Sie den Schalter auf HP, wenn Sie die interne Frequenzweiche des Verstärkers als Hochpassfilter verwenden wollen. Stellen Sie den Schalter auf LP, wenn Sie die interne Frequenzweiche des Verstärkers als Tiefpassfilter verwenden wollen. Stellen Sie den Regler auf BP, wenn ein bestimmter Frequenzbereich benötigt wird. Betätigen Sie den Frequenzweichenschalter ausschließlich bei ausgeschaltetem Audiosystem!

Stellen Sie den 1X/10X(1- bis 10-fach)-Frequenzvervielfacher-Schalter auf die Einstellung, die Ihrer Anwendung am besten entspricht. Eine Einstellung von 10X setzt den Frequenzweichen-Bereich bei AMP 1 auf 100 – 5.000 Hz und die Tiefpass-Frequenzweiche von AMP 2 auf 400 – 5.000 Hz.

Einstellbarer Subsonic (Trittschall-)Filter: Der variable Trittschallfilter bietet einen Cutoff-Punkt für tiefere Frequenzen (10–80 Hz), die möglicherweise Ihren Lautsprecher überlasten und beschädigen könnten und außerdem einen unnötigen Stromverbrauch Ihres Verstärkers verursachen. Dieser Regler sollte der Kapazität des Verstärkers für tiefe Frequenzen entsprechend eingestellt werden.

KICK EQ Bass-Boost-Regler: Der variable Bass-Boost-Regler an der Seite des Verstärkers bietet ein stärkeres Ausgangssignal (0–18dB) in der ausgewählten Frequenz. Die Einstellung dieses Reglers ist Geschmackssache. Wenn Sie ihn aufdrehen, müssen Sie den Eingangspegel neu einstellen, damit der Verstärker nicht verzerrt.



KXARC-Fernsteuerung: Mit der mitgelieferten KXARC-Fernbedienung können Sie die DSP-Funktionen des Verstärkers freischalten und fernsteuern. Informationen zum Einbau auf S. 41.

KXARC-Kopplung: Verwenden Sie den Koppelschalter über der Kopplungs-LED, um den KX-Verstärker in den Kopplungsmodus zu schalten. Das Licht blinkt, wenn der Verstärker sich im Kopplungsmodus befindet und bereit ist, mit einer KXARC-Fernbedienung verbunden zu werden; nach der Verbindung leuchtet es durchgehend. Halten Sie die Kopplungstaste gedrückt, um die Liste der Geräte zurückzusetzen.

GAINANPASSUNG

Bei jedem Audiosystem besteht das wichtigste Ziel stets darin, maximale Eingangs- und Ausgangspegel ohne Verzerrung oder Clipping zu erreichen. Dank dem Gain Matching Feature konnten sich die Techniker von KICKER bei der Anpassung der Ausgangsleistung Ihres Quellgeräts an den Verstärker jede Menge Rätselraten und Ärger ersparen. Zunächst müssen Sie sich die KICKER-Testtöne von www.kicker.com/test-tones herunterladen. Folgende Dateien sind im MP3- und WAV-Format vorhanden:

1kHz bei 0dBFS, 50Hz bei 0dBFS, 1kHz bei -10dBFS, 50Hz bei -10dBFS, 1kHz @ -5dBFS, 50Hz @ -5dBFS

Diese Testtöne sind Sinuskurven, die ein gleichmäßiges Signal als Referenz für den KX-Verstärker bieten sollen. Die unterschiedlichen Aufnahmepegel ermöglichen Ihnen die perfekte Verstärkungsanpassung für Ihre Anwendung.

0dBFS: Sorgt bei audiophilen Anwendungen für verzerrungsfreien Ausgang und möglichst dynamischen Umfang.

-5dBFS: Für normale/tägliche Anwendungen mit geringerem dynamischen Umfang aber vom Potenzial her höheren Audio-Ausgangspegeln. Mit dieser Anordnung kann es zu gelegentlichem Clipping durch den Verstärker kommen.

-10dBFS: Nur für Subwoofer-Anwendungen mit geringerem dynamischen Umfang aber vom Potenzial her höheren Audio-Ausgangspegeln. Mit dieser Anordnung kann es zu Clipping durch den Verstärker kommen.

Sorgen Sie anschließend folgendermaßen für eine angemessene Verstärkungsanpassung Ihres (Ihrer) Verstärker(s):

1. Trennen Sie die Lautsprecher vom KX-Verstärker.
2. Stellen Sie alle Klangregelungen und Überkreuz Einstellungen auf Ihrem Quellgerät auf flach ein.
3. Spielen Sie die von KICKER.com herunterladbare Datei ab.
4. Stellen Sie die Lautstärke des Quellgeräts auf 3/4.
5. Drehen Sie den Pegel am Verstärker hinauf, bis die Gain-LED aufleuchtet.
6. Drehen Sie den Pegel am Verstärker herunter, bis die Gain-LED erlischt.



Jedliche pegelangepasste Schaltung der KX-Verstärker steht am Beginn der Signalkette. Falls Sie Features wie Bass Boost, SHOCwave oder Klangregelungen verwenden, kann die erneute Verstärkungsanpassung auf einen niedrigeren Wert notwendig sein, um den erhöhten Ausgabepegel dieser Frequenzen auszugleichen.

Sobald der Verstärker und das Quellgerät aneinander angepasst sind, sollten Sie sicherstellen, dass Sie Ihre Lautsprecher nicht übersteuern. Verwenden Sie dafür folgenden Ablauf:

1. Stellen Sie die Lautstärke des Quellgeräts auf 0.
2. Schließen Sie die Lautsprecher wieder an den KX-Verstärker an.
3. Heben Sie den Lautstärkenpegel des Quellgeräts nur nach und nach an wenn Sie nach vernehmbarer Verzerrung horchen.
4. Sollten Sie Clipping hören, verringern Sie den Gain des Verstärkers bis dieses erlischt.

Gleichermaßen können Sie das CLIP-Anzeigefeature der KXARC-Fernbedienung benutzen, um zu eruieren, bei welchem Verstärker es wann zu Clipping kommt.



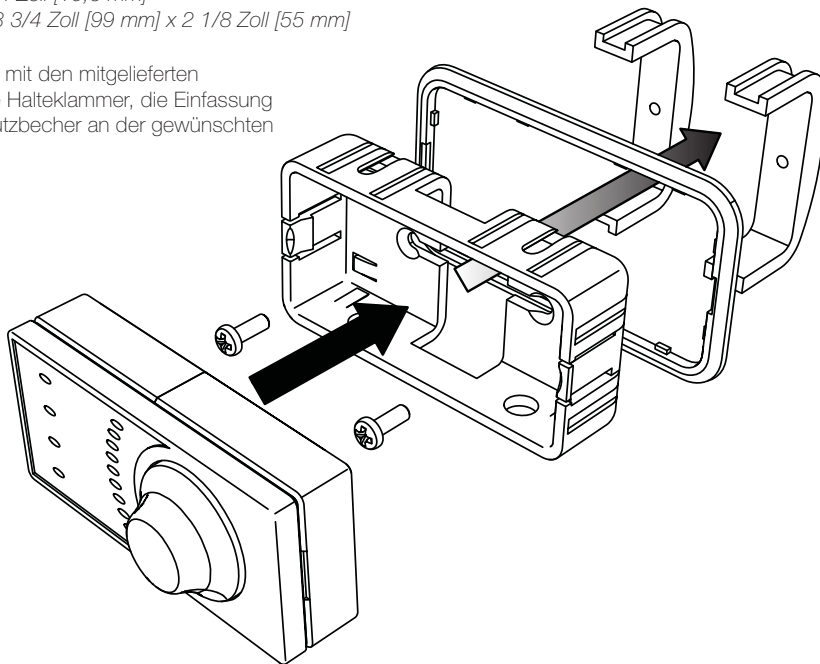
KXARC FERNBEDIENUNG

BÜNDIGER EINBAU

Einbautiefe: 3/4 Zoll [19,5 mm]

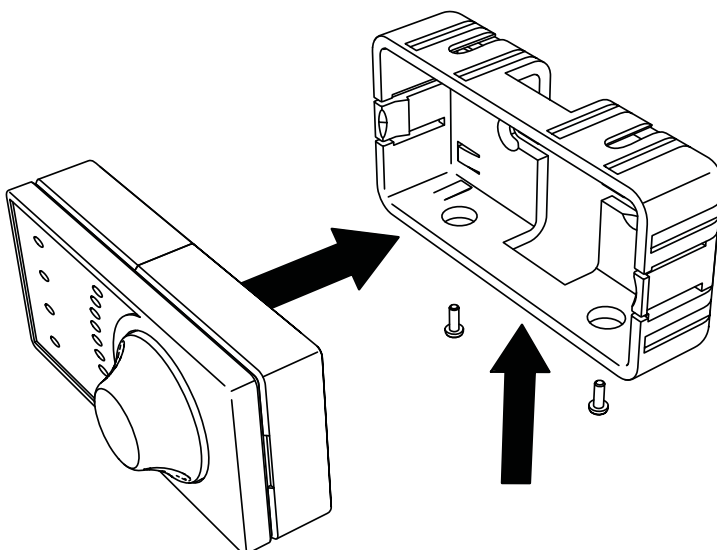
Einbaumaße: 3 3/4 Zoll [99 mm] x 2 1/8 Zoll [55 mm]

Befestigen Sie mit den mitgelieferten Schrauben die Halteklammer, die Einfassung und den Aufputzbecher an der gewünschten Stelle.



NICHTBÜNDIGER EINBAU

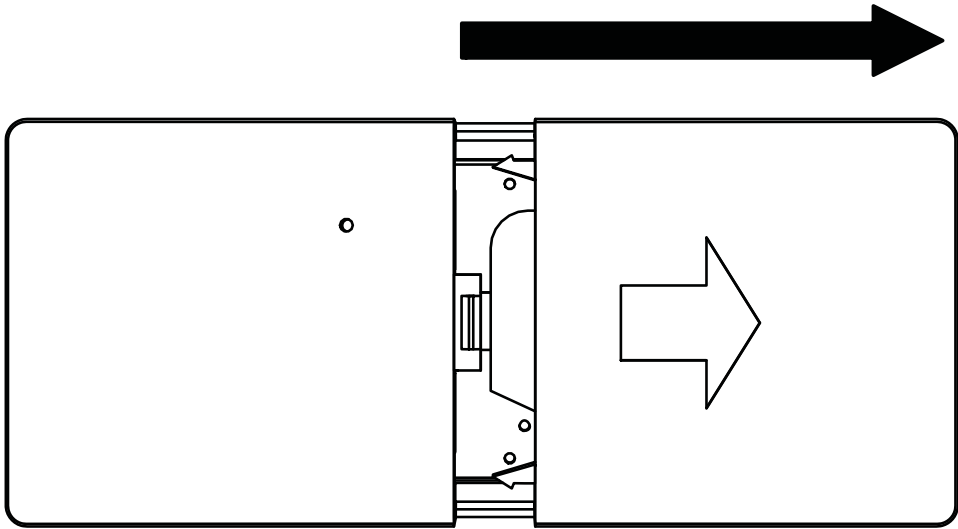
Befestigen Sie den Aufputzbecher an der gewünschten Stelle, indem Sie ihn an der Unterseite oder der Rückseite mit den mitgelieferten Schrauben festschrauben.



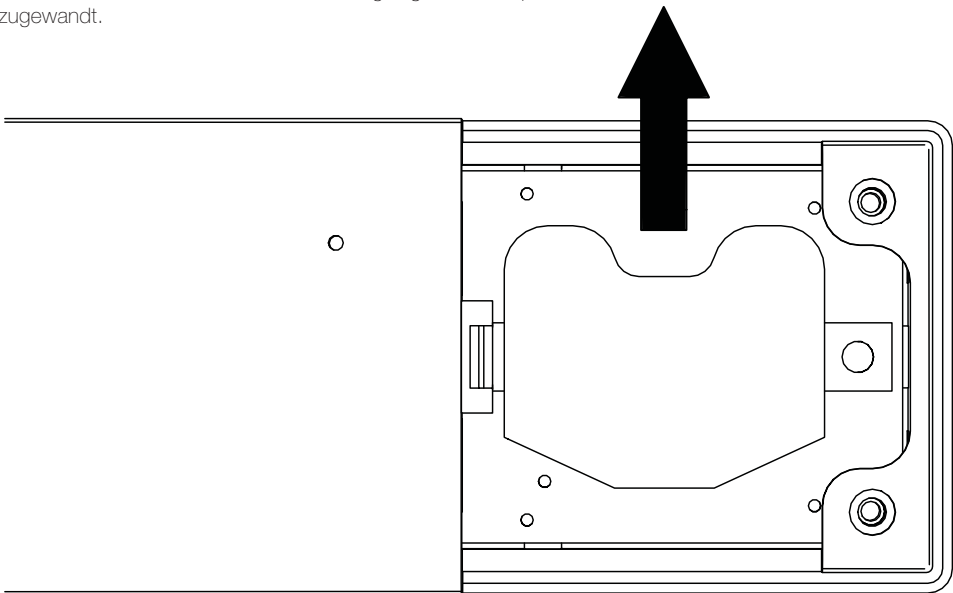
BATTERIEWECHSEL

Modell: CR2450 (3V)

Schieben Sie die Batterieabdeckung auf der Rückseite der KXARC zur Seite, wie angezeigt. Dadurch legen Sie das Batteriefach frei.



Schieben Sie die Batterie von oben her aus dem Batteriefach. Tauschen Sie die Batterie aus und schließen Sie das Batteriefach auf dieselbe Weise, wie Sie es geöffnet haben. Stellen Sie sicher, dass die Batterie nicht verkehrt ins Batteriefach eingelegt wird. Der positive Pol ist der Oberseite des Batteriefachs zugewandt.

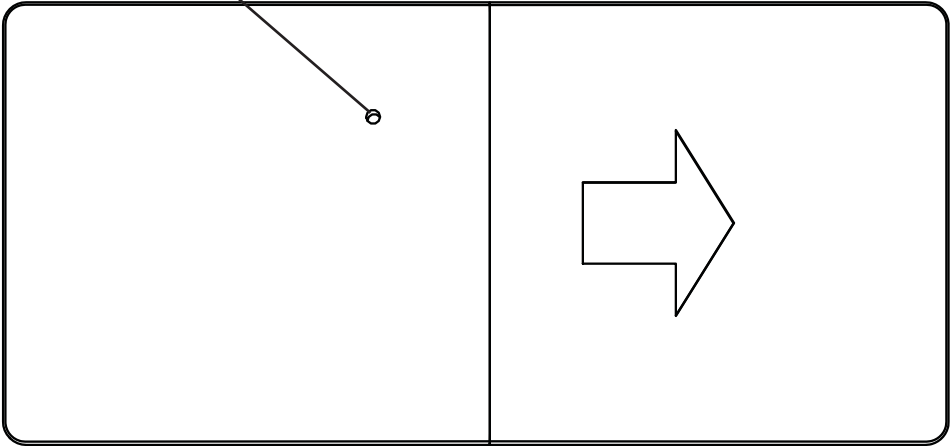


VERWENDUNG DER KXARC-FERNBEDIENUNG

BLUETOOTH®-KOPPLUNG

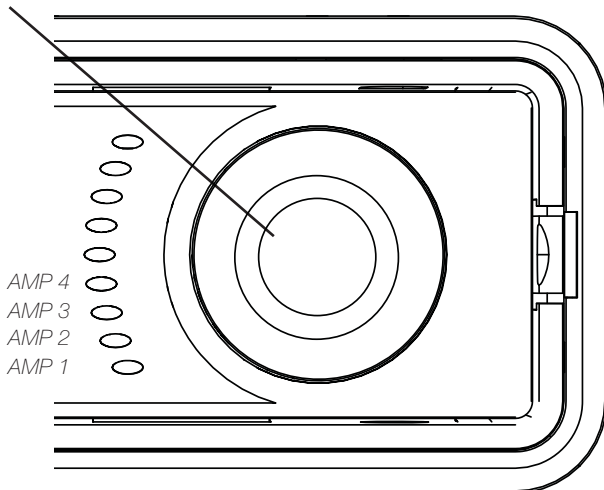
Um den KXARC im Kopplungsmodus zu platzieren, stecken Sie einen Stift, eine Büroklammer oder ein anderes verfügbares dünnes, spitzes Objekt in die unauffällige kleine Öffnung auf der Rückseite der Fernbedienung ein und drücken Sie sie für 1 Sekunde. Wenn der KXA-Verstärker sich ebenfalls im Kopplungsmodus befindet, werden die Geräte miteinander verbunden. Ihr KXARC bleibt im Kopplungsmodus, um eine Verbindung zum nächsten Verstärker herzustellen.

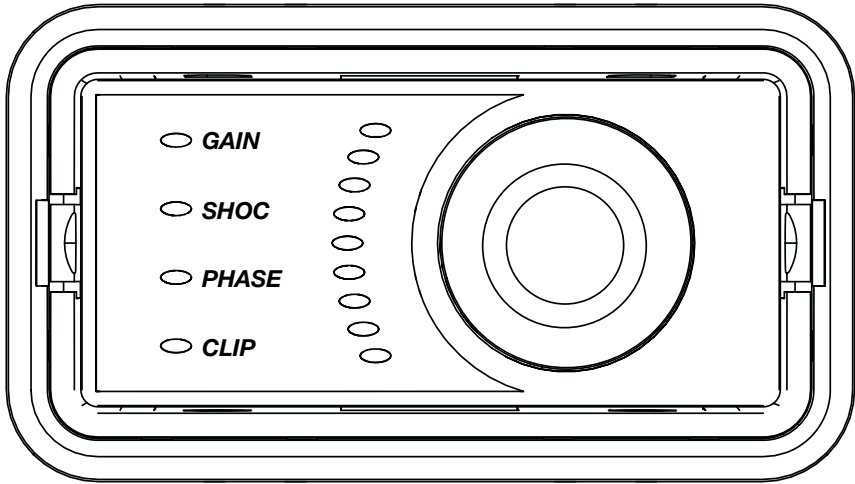
Kopplungstaste



Der Kopplungsmodus schaltet sich nach 30 Sekunden aus oder Sie können die Kopplungstaste erneut drücken. Sie können bis zu vier (4) KXA-Verstärker mit Subwoofer-Kanal (Mono- oder Fünfkanal-Modelle) miteinander koppeln. Der KXARC verfolgt jeden Verstärker und kennzeichnet den aktuellen Verstärker durch die unteren 4 Status-LEDs.

Gedrückt halten, um die LED-Helligkeit anzupassen.





Drücken Sie die KXARC-Taste, um durch die Einstellungen für GAIN, SHOC, PHASE und CLIP zu wechseln und wählen Sie den jeweils gewünschten Wert mit dem Drehregler aus. Der KXARC unterstützt bis zu 4 KICKER KXA-Verstärker mit einem Subwoofer-Kanal.

Pegel: Die KXARC-Pegelkontrolle bietet eine Pegeldämpfung von -26 dB bis 0 dB. So können Sie den Pegel des Subwoofer-Kanals bequem und schnell anpassen, wobei der Höchstwert die PegelEinstellung ist, die Sie an der Seite des KX-Verstärkers eingestellt haben.

SHOCwave: SHOCwave (Sub Harmonic Octave Creation) verstärkt tiefe Frequenzen, die in älteren Aufnahmen weniger stark ausgeprägt oder durch Datenkompression verloren gegangen sind. Damit dieser Effekt seine volle Wirkung entfalten kann, muss der SUBWOOFER-Kanal mit einem Fullrange-Signal betrieben werden. Drücken Sie den Knopf, bis SHOC aufleuchtet, und drehen Sie ihn dann bis auf die gewünschte Stärke auf.

Phase: Mit der PHASE-Funktion können Sie die Phaseneinstellung der Subwooferfrequenz auswählen; 0° oder 180°. Sollten die Bassfrequenzen im Audiosignal fehlen, so befinden sie sich möglicherweise in einer anderen Phase als das übrige System. Derartige Probleme können auch durch Verzögerung, die Umkehr der Positiv/Negativ-Polarität oder eine andere Positionierung des Subwoofers behoben werden. Die oberen LEDs werden 0° anzeigen, die unteren dagegen 180°.

Clip: Wenn Clip ausgewählt ist, aktiviert der CLIP-Indikator die LED, die mit einem Verstärker mit einem übersteuerten Ausgangssignal verbunden ist. Drücken Sie einfach die KXARC-Taste, bis CLIP ausgewählt ist, und beobachten Sie dann die unteren 4 LEDs, um zu sehen, welcher Verstärker übersteuert ist und wann. Wenn CLIP nicht ausgewählt ist, fungiert die CLIP-LED als globale Übersteuerungsanzeige. Wenn Sie Ihre Gain- oder SHOCwave-Einstellung ändern, können Sie feststellen, dass die CLIP-LED aktiv ist. Dies bedeutet, dass Ihre neuen DSP-Einstellungen die Übersteuerung eines Ausgangs verursacht haben und Sie sollten die Verstärkung reduzieren oder auf andere Weise kompensieren.

PROBLEMBEHEBUNG

Wenn der Verstärker nicht zu funktionieren scheint, sollten Sie zuerst offensichtliche Faktoren prüfen, wie durchgebrannte Sicherungen, schlechte oder fehlerhafte Verkabelung, inkorrekte Einstellung des Crossover-Schalters und der Verstärkungsregler etc. Am seitlichen Einschaltfeld des KICKER KXA-Verstärkers befinden sich eine Netz-LED (PWR) und eine Schutz-LED (PRT). Abhängig vom Einschaltzustand des Verstärkers und des Ladesystems des Fahrzeugs leuchten die LED-Anzeigen grün oder rot. Eine grün LED zeigt an, dass der Verstärker eingeschaltet ist und einwandfrei funktioniert.

Netz-LED aus, keine Ausgabe? Testen Sie mit einem Volt-Ohm-Messgerät (VOM) Folgendes: ❶ +12 Volt Stromanschluss (Wert sollte +12V bis +16V sein) ❷ Feineinschaltung (Wert sollte +12V bis +16V sein) ❸ Prüfen,

ob Netz- und Masseanschlüsse falsch gepolt sind. ❹ Masseanschluss, auf korrekte Leitfähigkeit. ❺ Prüfen, ob Sicherungen durchgebrannt sind.

Netz-LED an, keine Ausgabe? Prüfen Sie Folgendes: ❶ RCA-Anschlüsse ❷ Lautsprecheranschlüsse mit „gutem“ Lautsprecher testen. ❸ Autoradio durch ein „gutes“ Autoradio ersetzen. ❹ Prüfen Sie mit dem VOM-Messgerät, das auf Wechselspannung eingestellt ist, die RCA-Zuleitung des Verstärkers auf ein Signal.

Schutz-LED blinkt bei lauter Musik? Die rote LED zeigt eine niedrige Batteriespannung an. Prüfen Sie alle Verbindungen im Ladesystem Ihres Fahrzeugs. Sie müssen eventuell die Fahrzeugbatterie aufladen oder ersetzen oder die Lichtmaschine auswechseln.

Schutz-LED an, keine Ausgabe? ❶ Der Verstärker ist sehr heiß = Der Überhitzungsschutz ist aktiviert. Testen Sie den Widerstand an den Lautsprecheranschlüssen mit einem VOM-Messgerät (die Diagramme in dieser Anleitung zeigen die empfohlenen Mindestwiderstände und Vorschläge für den Anschluss mehrerer Lautsprecher). Prüfen Sie auch, ob der Verstärker ausreichende Lüftung hat. ❷ Der Verstärker schaltet sich nur während der Fahrt aus = Der Spannungsschutz ist aktiviert. Die Spannung am Verstärker liegt außerhalb des Betriebsbereichs von 10–16 Volt. Lassen Sie das Lade- und Elektriksystem des Fahrzeugs inspizieren. ❸ Der Verstärker erzeugt nur geringe Lautstärke = Die Kurzschluss-Sicherung ist aktiviert. Prüfen Sie, ob Lautsprecherkabel miteinander oder mit der Karosserie Kurzschlüsse erzeugen. Prüfen Sie, ob beschädigte oder unterhalb des Mindestwiderstands funktionierende Lautsprecher vorliegen.

Keine Ausgabe aus einem Kanal? ❶ Prüfen Sie den Balanceregler am Autoradio. ❷ Prüfen Sie die RCA- oder Lautsprecherkabel und -ausgänge für den Kanal.

KXARC Fehlersuche: Wenn die KXARC-LEDs dreimal blinken, sind sie derzeit nicht mit einem Verstärker verbunden. Drücken Sie die Kopplungs-Taste auf der Rückseite der Fernbedienung und am KXA-Verstärker für 1 Sekunde. HINWEIS: Wenn der KXARC nicht aktiv oder im Sleep-Modus ist, wird er nicht als verbunden auf dem KXA-Bedienfeld angezeigt. Tauschen Sie die Batterie aus, wenn der KXARC sich nicht einschalten lässt.

Lichtmaschine erzeugt bei steigender Motordrehzahl heulendes Geräusch? ❶ Prüfen Sie, ob das RCA- oder Lautsprechereingangskabel defekt ist. ❷ Prüfen Sie den Verlauf des RCA- oder Lautsprechereingangskabels. ❸ Prüfen Sie, ob das Autoradio richtig geerdet ist. ❹ Prüfen Sie die Verstärkungseinstellungen und reduzieren Sie diese ggf.

Verringerte Basswiedergabe? Wechseln Sie einen Lautsprecheranschluss an den Stereo-/Subwooferkanälen von Positiv zu Negativ; wenn der Bass nun besser klingt, war der Lautsprecher phasenverschoben.

Störung durch Erdung? KICKER-Verstärker sind mit den Autoradios aller Hersteller kompatibel. Manche Autoradios erfordern eventuell weitere Erdung, um Störungen am Audiosignal zu verhindern. Wenn Sie Probleme mit dem Autoradio haben, reicht es meist, ein Massekabel von den RCA-Ausgängen am Autoradio zur Karosserie zu verlegen.

ACHTUNG: Wenn Sie das Auto mit Starthilfekabel starten, müssen Sie sicherstellen, dass die Kabel korrekt angeschlossen sind. Falsche Anschlüsse können zu einem Durchbrennen der Verstärkersicherung und einem Ausfall anderer wichtiger Systeme im Fahrzeug führen.

Wenn Sie weitere Fragen zur Installation oder zum Betrieb Ihres neuen KICKER-Produkts haben, setzen Sie sich bitte mit Ihrem autorisierten KICKER-Fachhändler in Verbindung. Weitere Installationshinweise finden Sie, indem Sie auf der KICKER-Startseite (www.KICKER.com) auf die Registerkarte SUPPORT klicken. Wählen Sie das Register TECHNICAL SUPPORT und dann das gewünschte Thema, um die entsprechenden Informationen anzuzeigen oder herunterzuladen. Wenn Sie spezifische oder nicht beantwortete Fragen haben, erreichen Sie den Kundendienst unter support@KICKER.com oder telefonisch unter +1 (405) 624-8583.



KXA800.5

50W x 4 @ 4 ohms (10Hz–20,000Hz)
Rauschabstand -75dB CEA-2006B (ref: 1W, A-gewichtet)
200 x 1 @ 4 ohms (10Hz–1600Hz)
Rauschabstand -75dB CEA-2006B (ref: 1W, A-gewichtet)
14.4V GS, 1% Klirrfaktor, CEA-2006B (Watts)

ELECTRONICS LIMITED WARRANTY

When purchased from an Authorized KICKER Dealer, KICKER warrants this product to be free from defects in material and workmanship under normal use for a period of TWO (2) YEARS from date of original purchase with receipt. If this product is identified as "Refurbished" or "B Goods", the warranty is limited to a period of THREE (3) MONTHS from the date of original purchase. In all cases you must have the original receipt. Should service be necessary under this warranty for any reason due to manufacturing defect or malfunction during the warranty period, KICKER will repair or replace (at its discretion) the defective merchandise with equivalent merchandise. Warranty replacements may have cosmetic scratches and blemishes. Discontinued products may be replaced with more current equivalent products. This warranty is valid only for the original purchaser and is not extended to owners of the product subsequent to the original purchaser. Any applicable implied warranties are limited in duration to a period of the express warranty as provided herein beginning with the date of the original purchase at retail, and no warranties, whether express or implied, shall apply to this product thereafter. Some states do not allow limitations on implied warranties; therefore, these exclusions may not apply to you. This warranty gives you specific legal rights; however you may have other rights that vary from state to state.

WHAT TO DO IF YOU NEED WARRANTY OR SERVICE:

Defective merchandise should be returned to your local Authorized Stillwater Designs (KICKER) Dealer for warranty service. Assistance in locating an Authorized Dealer can be found at www.KICKER.com or by contacting Stillwater Designs directly. You can confirm that a dealer is authorized by asking to see a current authorized dealer window decal.

If it becomes necessary for you to return defective merchandise directly to Stillwater Designs (KICKER), call the KICKER Customer Service Department at (405) 624-8510 for a Return Merchandise Authorization (RMA) number. Package only the defective items in a package that will prevent shipping damage, and return to:

Stillwater Designs, 3100 North Husband St, Stillwater, OK 74075

The RMA number must be clearly marked on the outside of the package. Please return only defective components. The return of functioning items increases your return freight charges. Non-defective items will be returned freight collect to you. For example, if a subwoofer is defective, only return the defective subwoofer, not the entire enclosure. Include a copy of the original receipt with the purchase date clearly visible, and a "proof-of-purchase" statement listing the Customer's name, Dealer's name and invoice number, and product purchased. Warranty expiration on items without proof-of-purchase will be determined from the type of sale and manufacturing date code. Freight must be prepaid; items sent freight-collect, or COD, will be refused.

WHAT IS NOT COVERED?

This warranty is valid only if the product is used for the purpose for which it was designed. It does not cover:

- o Damage due to improper installation
- o Subsequent damage to other components
- o Damage caused by exposure to moisture, excessive heat, chemical cleaners, and/or UV radiation
- o Damage through negligence, misuse, accident or abuse. Repeated returns for the same damage may be considered abuse
- o Any cost or expense related to the removal or reinstallation of product
- o Speakers damaged due to amplifier clipping or distortion
- o Items previously repaired or modified by any unauthorized repair facility
- o Return shipping on non-defective items
- o Products with tampered or missing barcode labels
- o Products with tampered or missing serial numbers
- o Products returned without a Return Merchandise Authorization (RMA) number
- o Products purchased from an UNAUTHORIZED dealer
- o Freight Damage
- o The cost of shipping product to KICKER
- o Service performed by anyone other than KICKER



HOW LONG WILL IT TAKE?

KICKER strives to maintain a goal of one week turnaround for all electronics (amplifiers, crossovers, equalizers, etc.) returns. Delays may be incurred if lack of replacement inventory or parts is encountered. Failure to follow these steps may void your warranty. Any questions can be directed to the KICKER Customer Service Department at (405) 624-8510. Contact your International KICKER dealer or distributor concerning specific procedures for your country's warranty policies.

Note: All specifications and performance figures are subject to change. Please visit www.KICKER.com for the most current information.

P.O. Box 459 • Stillwater, Oklahoma 74076 • USA • (405) 624-8510

45KX.5-H-20170425

46

INTERNATIONAL WARRANTY

Contact your International KICKER dealer or distributor concerning specific procedures for your country's warranty policies.

WARNING: KICKER products are capable of producing sound levels that can permanently damage your hearing! Turning up a system to a level that has audible distortion is more damaging to your ears than listening to an undistorted system at the same volume level. The threshold of pain is always an indicator that the sound level is too loud and may permanently damage your hearing. Please use common sense when controlling volume.

Our goods come with guarantees that cannot be excluded under the **Australian Consumer Law**. You are entitled to a replacement or refund for a major failure and for compensation for any other reasonably foreseeable loss or damage. You are also entitled to have the goods repaired or replaced if the goods fail to be of acceptable quality and the failure does not amount to a major failure.

GARANTÍA INTERNACIONAL

Versión Español

Comuníquese con su concesionario o distribuidor KICKER internacional para obtener información sobre procedimientos específicos relacionados con las normas de garantía de su país.

ADVERTENCIA: Los excitadores KICKER son capaces de producir niveles de sonido que pueden dañar permanentemente el oído. Subir el volumen del sistema hasta un nivel que produzca distorsión es más dañino para el oído que escuchar un sistema sin distorsión al mismo volumen. El dolor es siempre una indicación de que el sonido es muy fuerte y que puede dañar permanentemente el oído. Sea precavido cuando controle el volumen.

La frase "combustible para vivir la vida Livin' Loud™ a todo volumen" se refiere al entusiasmo por la vida que la marca KICKER de estéreos de automóvil representa y a la recomendación a nuestros clientes de que vivan lo mejor posible ("a todo volumen") en todo sentido. La línea de altavoces y amplificadores KICKER es la mejor del mercado de audio de automóviles y por lo tanto representa el "combustible" para vivir a todo volumen en el área de "estéreos de automóvil" de la vida de nuestros clientes. Recomendamos a todos nuestros clientes que obedezcan todas las reglas y reglamentos locales sobre ruido en cuanto a los niveles legales y apropiados de audición fuera del vehículo.

INTERNATIONALE GARANTIE

Deutsche Version

Nehmen Sie mit Ihren internationalen KICKER-Fachhändler oder Vertrieb Kontakt auf, um Details über die Garantieleistungen in Ihrem Land zu erfahren.

WARNUNG: KICKER-Treiber können einen Schallpegel erzeugen, der zu permanenten Gehörschäden führen kann! Wenn Sie ein System auf einen Pegel stellen, der hörbare Verzerrungen erzeugt, schadet das Ihren Ohren mehr, als ein nicht verzerrtes System auf dem gleichen Lautstärkepegel. Die Schmerzschwelle ist immer eine Anzeige dafür, dass der Schallpegel zu laut ist und zu permanenten Gehörschäden führen kann. Seien Sie bei der Lautstärkeinstellung bitte vernünftig!

Der Slogan "Treibstoff für Livin' Loud" bezieht sich auf die mit den KICKER-Autostereosystemen assoziierte Lebensfreude und die Tatsache, dass wir unsere Kunden ermutigen, in allen Aspekten ihres Lebens nach dem Besten ("Livin' Loud") zu streben. Die Lautsprecher und Verstärker von KICKER sind auf dem Markt für Auto-Soundsysteme führend und stellen somit den "Treibstoff" für das Autostereoelebnis unserer Kunden dar. Wir empfehlen allen unseren Kunden, sich bezüglich der zugelassenen und passenden Lautstärkepegel außerhalb des Autos an die örtlichen Lärmvorschriften zu halten.

GARANTIE INTERNATIONALE

Version Française

Pour connaître les procédures propres à la politique de garantie de votre pays, contactez votre revendeur ou distributeur International KICKER.

AVERTISSEMENT: Les haut-parleurs KICKER ont la capacité de produire des niveaux sonores pouvant endommager l'ouïe de façon irréversible ! L'augmentation du volume d'un système jusqu'à un niveau présentant une distorsion audible endommage davantage l'ouïe que l'écoute d'un système sans distorsion au même volume. Le seuil de la douleur est toujours le signe que le niveau sonore est trop élevé et risque d'endommager l'ouïe de façon irréversible. Réglez le volume en faisant preuve de bon sens!

L'expression "carburant pour vivre plein pot" fait référence au dynamisme de la marque KICKER d'équipements audio pour véhicules et a pour but d'encourager nos clients à faire le maximum ("vivre plein pot") dans tous les aspects de leur vie. Les haut-parleurs et amplificateurs KICKER sont les meilleurs dans le domaine des équipements audio et représentent donc pour nos clients le "carburant pour vivre plein pot" dans l'aspect "installation audio de véhicule" de leur vie. Nous encourageons tous nos clients à respecter toutes les lois et réglementations locales relatives aux niveaux sonores acceptables à l'extérieur des véhicules.

Company Name: Grupo Monsiry S. de R.L. de C.V.
Address: Ave. Baburias #14171 int. B Fracc. Jose Sandoval Tijuana, B.C. Mexico cp 22105

©2016 Stillwater Designs